

Hustler® Parts Manual



HUSTLER®
TURF EQUIPMENT

200 South Ridge Road

Hesston, Kansas

67062



NOTICE OF REQUIREMENT OF SPARK ARRESTER MUFFLER

This equipment may create sparks that can start fires around dry vegetation. California Public Resources Code Section 4442.6 provides that it is unlawful to use or operate an internal combustion engine on any forest-covered, brush-covered, or grass-covered land unless the engine is equipped with a spark arrester maintained in effective working order. A spark arrester is a device constructed of nonflammable materials specifically for the purpose of removing and retaining carbon and other flammable particles over 0.0232 of an inch in size from the exhaust flow of an internal combustion engine that uses hydrocarbon fuels or which is qualified and rated by the United States Forest Service. Other states or federal areas may have similar laws. The Operator Should Contact Local Fire Agencies For Laws or Regulations Relating to Fire Prevention Requirements. **THIS EQUIPMENT DOES NOT HAVE A SPARK ARRESTER AND YOU SHOULD CONTACT YOUR AUTHORIZED DEALER FOR THE PURCHASE OF A SPARK ARRESTER.**

Inspect spark arrester daily; replace every 500 hours or as needed.

The Engine Owner's Manual provides information regarding the U.S. Environmental Protection Agency (EPA) and the California Emission Control Regulation of emission systems, maintenance and warranty.

Keep Engine Owner's Manual with your unit. Should the Engine Owner's Manual become damaged or illegible, replace immediately. Replacements may be ordered per the information found in the Product Information section of the owner's manual.

Federal law and California State law prohibit the following acts or the causing thereof:

1. The removal or rendering inoperative by any person other than for purposes of maintenance, repair, replacement, of any device or element of design incorporated into any equipment for the purposes of emissions control prior to or after its sales or delivery to the ultimate purchaser or while it is in use, or
2. The use of the equipment after such device or element of design has been removed or rendered inoperative by any person.

General Information	1
Frame & Engine Guard	
Frame	3-1
Engine Guard	3-2
Transmissions & Steering	
Hydraulic System	4-1
Transmission Service Parts	4-2
Steering	4-3
Steering Cover Assembly (Multi-Page)	4-4
Left Steering Box Assembly	4-5
Right Steering Box Assembly	4-6
Brake	4-7
Wheels & Tires	
Wheel & Tire	5-1
Front Wheel Breakdown	5-2
Drive Wheel Breakdown	5-3
Engine & Fuel System	
Engine (Multi-Page)	6-1
Engine Service Parts	6-2
Fuel System	6-3
Fuel Tank Service Parts	6-4
Electrical	
Battery	7-1
Instrument Panel & Wire Harness	7-2
Deck	
Service Deck	8-1
Deck Pulleys & Spindles	8-2
Deck, Pulley Covers, Belt, & Blades (Multi-Page)	8-3
Dust Shield	8-4
Deck Lift (Multi-Page)	8-5
Seat & ROPS	
Seat	9-1
Seat Service Parts	9-2
ROPS	9-3

General Information

Note: When ordering parts, you must use the part number as shown for each part, not the index number. Always give the model and serial number to your parts and service representative.

Note: Items sold in bulk such as seals and hoses are sold by the foot.

Using This Manual

This manual is part of a service package for the Hustler® mowers. Use of this manual in conjunction with other Hustler® mower and component manuals will provide the information necessary to service and maintain Hustler® mowers.

This Parts Manual provides a complete parts listing for the unit. Use this manual when ordering parts. Illustrations used were current at the time of printing, but subsequent production changes may cause your machine to vary slightly in detail. Excel Industries, Inc. reserves the right to redesign and change the machine as deemed necessary, without notification. If a change has been made to your machine which is not reflected in this parts manual, see your authorized dealer for current information and parts.

The Service Manual is a service guide for use by Service Technicians. It provides the necessary information needed to perform normal maintenance requirements on these units.

The Operator's Manual provides fundamental operational information and operational safety that is needed when operating the mower.

The component manuals are furnished by the various manufacturers to be used for the troubleshooting and servicing of their products.

Hardware Description Codes & Abbreviations

The following codes are used throughout this parts manual. Refer to this list when ordering parts.

ABBREVIATION	DESCRIPTION	ABBREVIATION	DESCRIPTION
CB	CARRIAGE BOLT	MB	MACHINE BUSHING
CE	CLEVIS PIN	MS	MACHINE SCREW
CN	CLIP NUT	NT	NUT
CP	COTTER PIN	SC	SELF TAPPING CAP SCREW
CS	CAP SCREW	SH	SOCKET HEAD
CW	CUP WASHER	SB	SHOULDER BOLT
FDRW	FENDER WASHER	SS	SET SCREW
FW	FLAT WASHER	OD	OUTSIDE DIAMETER
HX	HEX HEAD	ID	INSIDE DIAMETER
LW	LOCK WASHER	WN	WELD NUT

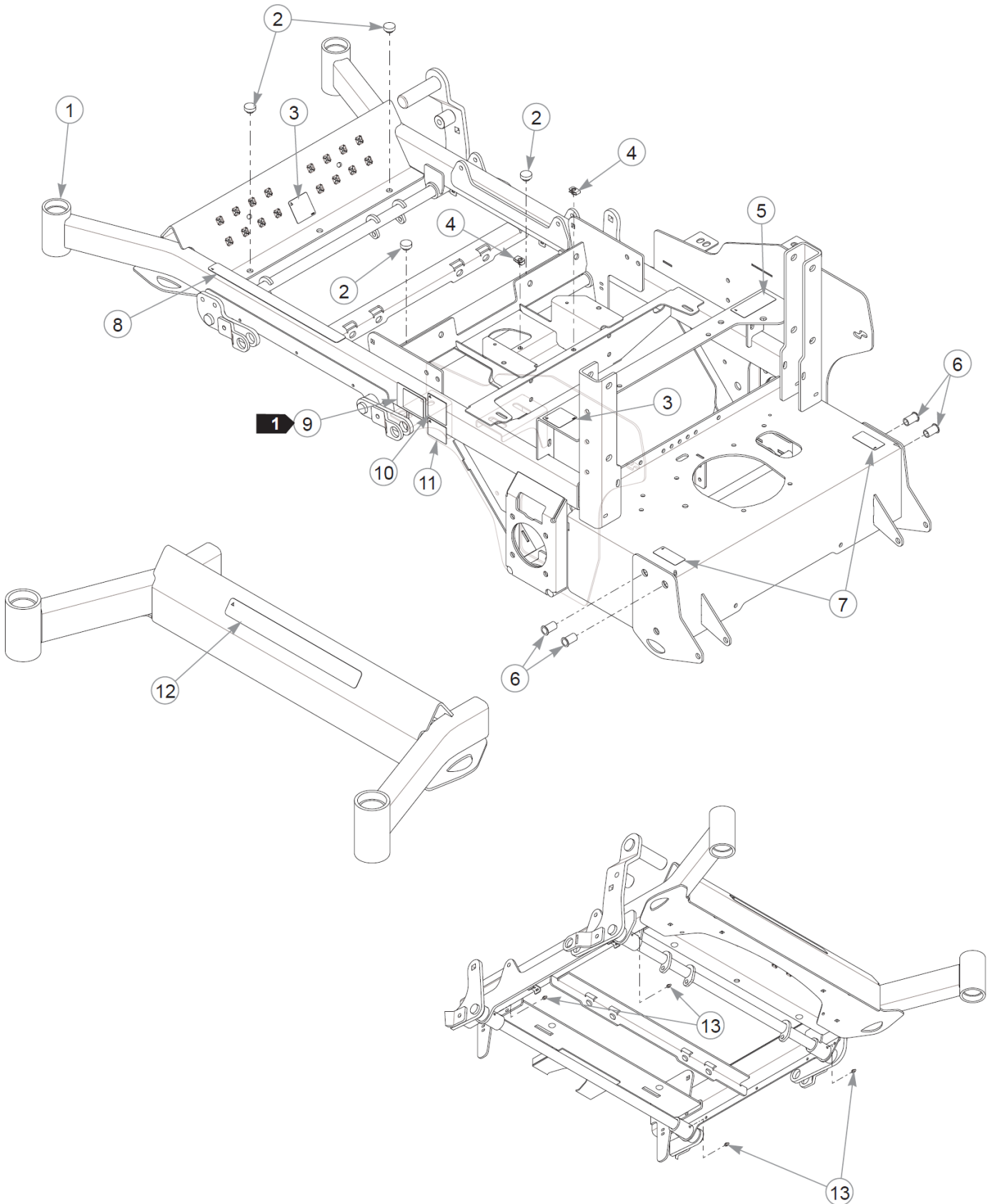
Standard Torques

The following chart lists the standard torque values for the threaded fasteners found in this manual. Torque all cap screws, nuts and set screws to these values unless a different torque is shown in the Notes section next to the fastener.

SIZE	FT-LBS	N•M	SIZE	FT-LBS	N•M
.250	8.2	11.1	M3	1	1.3
.312	17	23	M4	2.2	3
.375	30	40	M5	4.5	6.1
.438	48	65	M6	7.7	10.4
.500	73	99	M8	18.5	25
.562	105	143	M10	37	50
.625	145	200	M12	64	87
.750	260	350	M14	80	108.5
.875	420	565	M16	160	215
1.00	625	850	M20	320	435
			M24	555	750

This page intentionally left blank

Frame

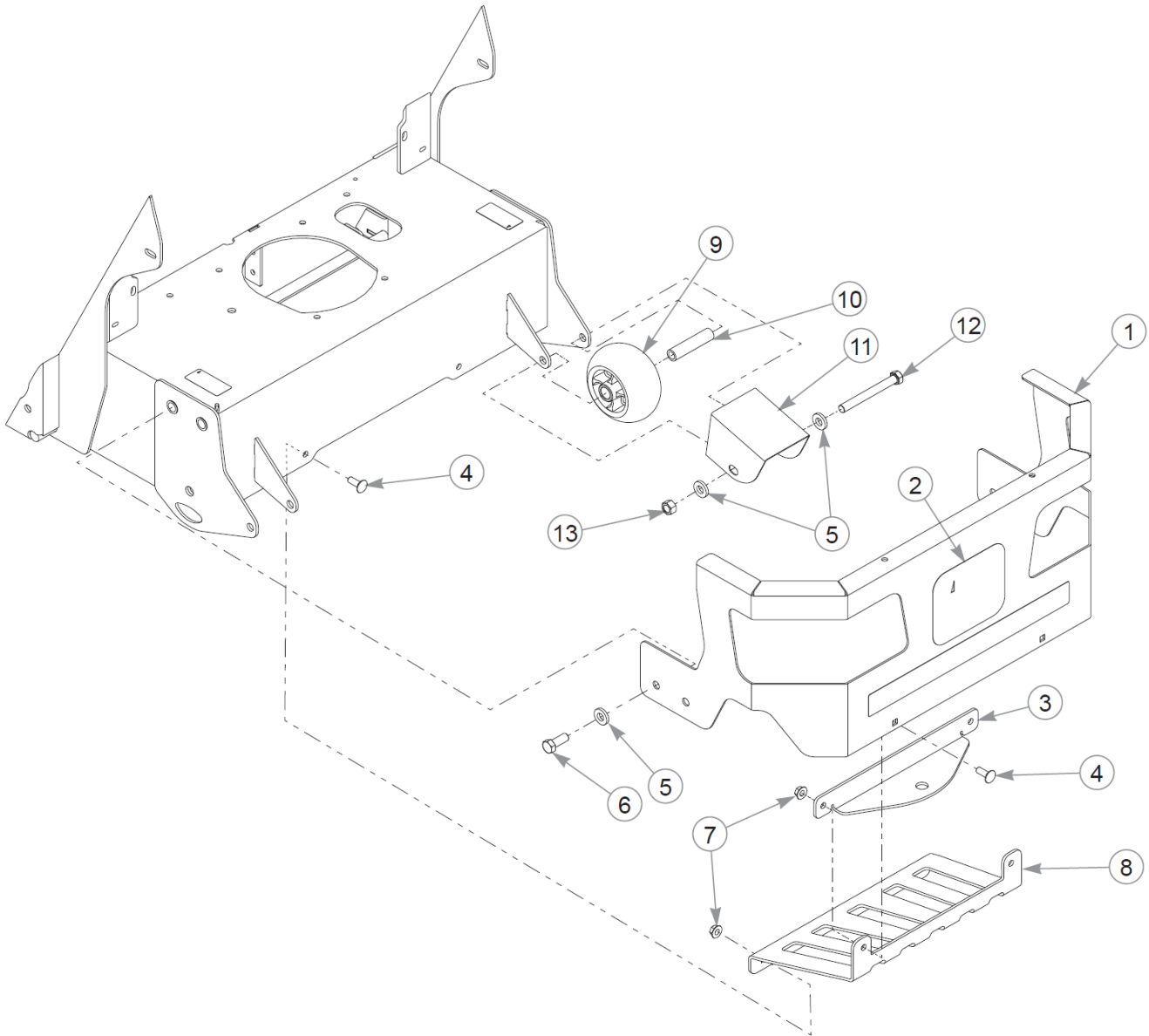


Frame

Item	Part No.	Qty	Name
1	553838	1	SVC FRAME
2	781880	4	BUMPER, .500x 1.00x .31
3	602562	2	DECAL, NO SERVICE
4	601982	2	CN .250-20X .150 MAX THK
5	601967	1	DECAL, ENGINE COMPART
6	600961	4	RIVET NUT, 1/2-13 THREAD
7	602041	2	DECAL, HOT
8	601993	1	DECAL, SAFE OPERATION
9	N/A	1	SERIAL NUMBER / SPEC DECAL
10	789776CE	1	DBA LIMIT DECAL
11	776310	1	DECAL, CE MARK
12	602407	1	DECAL, HUSTLER ID
13	015495	4	GREASE FITTING STRAIGHT

Comments for Page: Frame

1. Serial number decal. In the event the serial number decal becomes damaged or illegible, please contact your dealer to order a replacement.

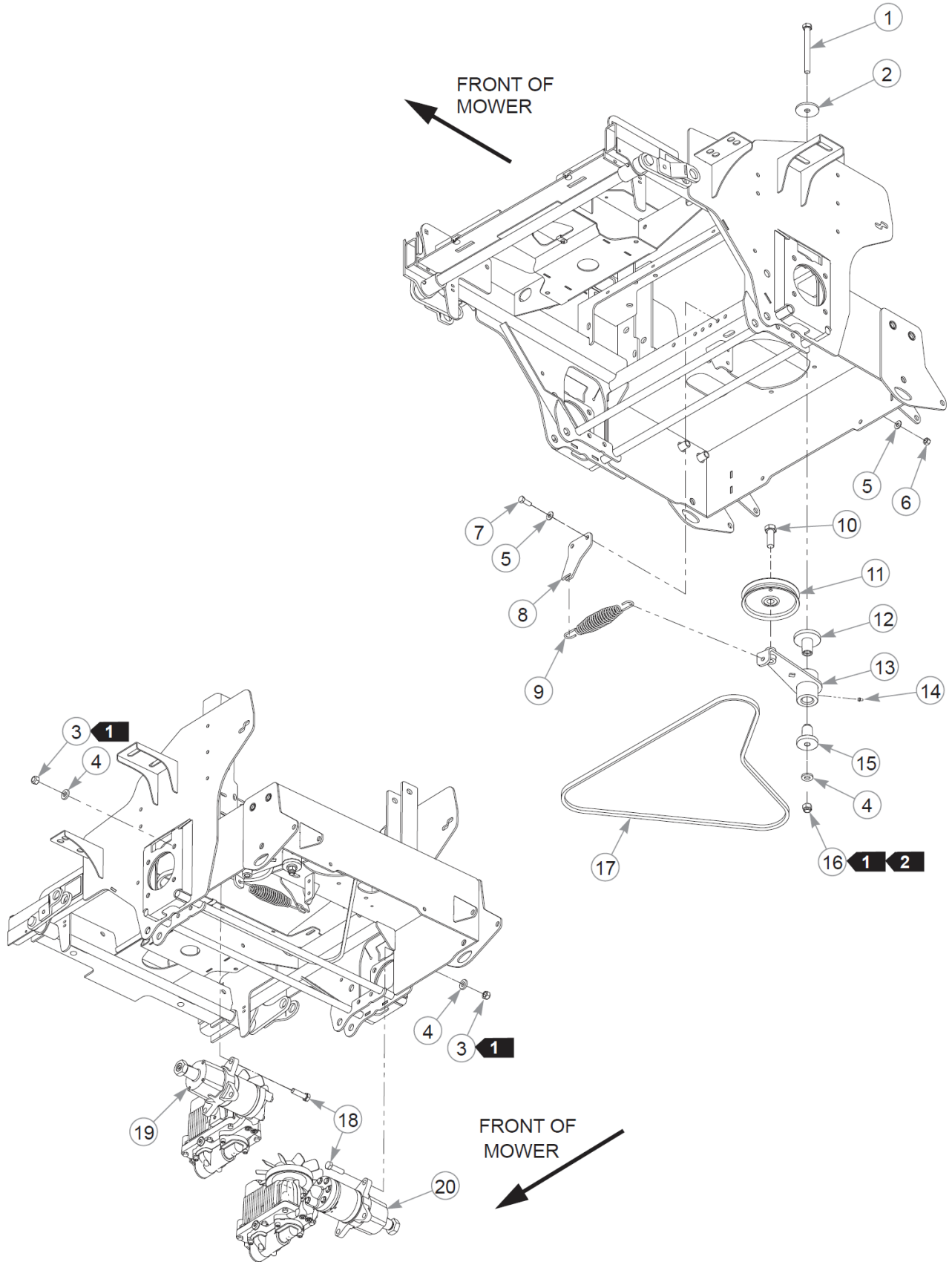


Engine Guard

Item	Part No.	Qty	Name
1	553843	1	SVC, ENGINE GUARD X1
2	604352	1	DECAL, H LOGO
3	124385-1	1	HITCH
4	025395	4	CB .375-16X 1.00 G5 ZNY
5	767962	8	FW .531 x 1.063 x .175
6	705954	4	CS .500-13X1.25 HX G5 ZY
7	016899	4	NT .375-16 FLKG5
8	606483	1	MUFFLER GUARD
9	602263	2	WHEEL, ANTI-SCALP
10	602345	2	SPACER, ANTI-SCALP 3.22
11	377994	2	HEAT SHIELD, MMZ ROLLER
12	068239	2	CS .500-13X4.500HXG5
13	008193	2	NT .500-13HXG5

Comments for Page: Engine Guard

1. The engine guard includes the decal.

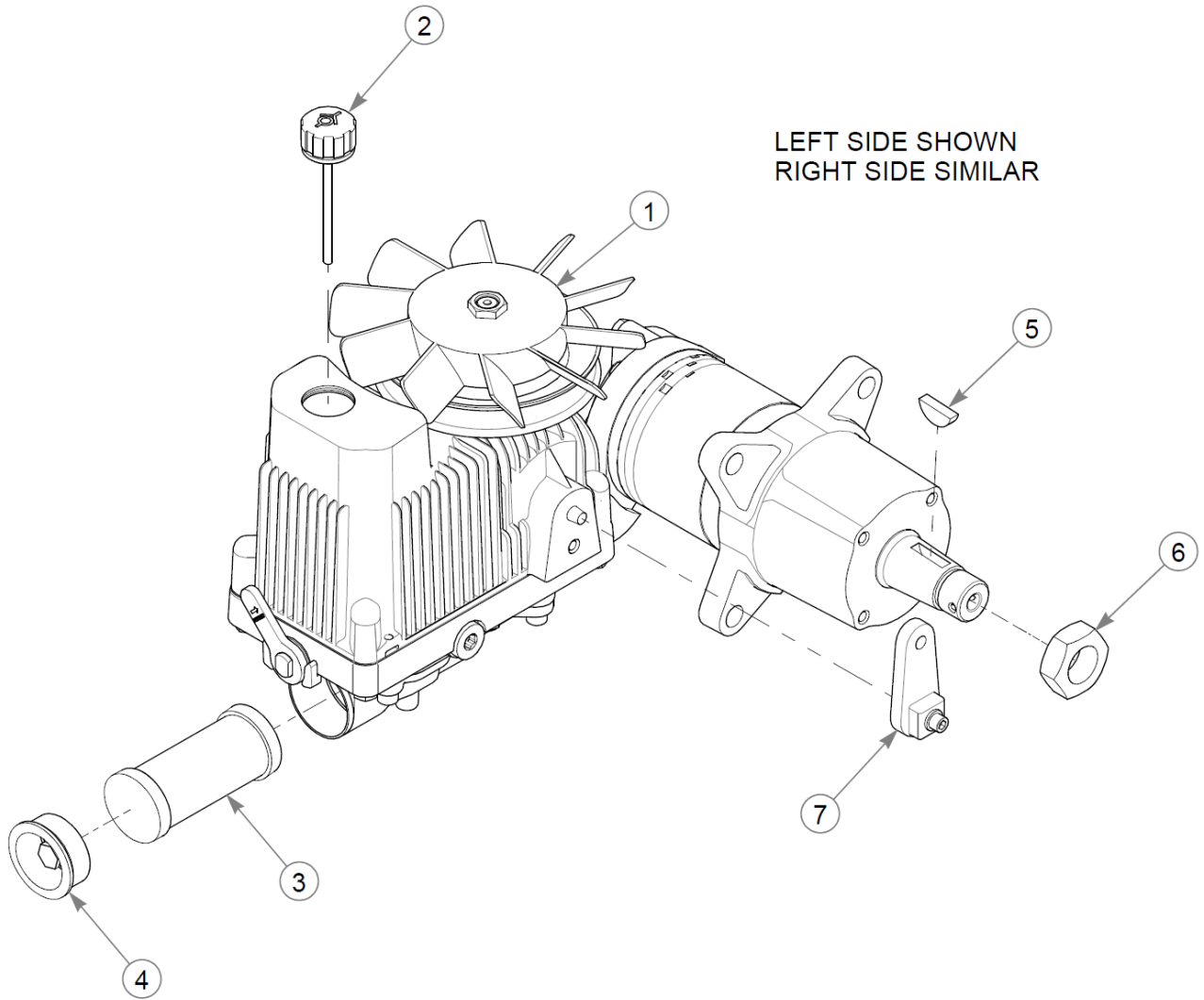


Hydraulic System

Item	Part No.	Qty	Name
1	051151	1	CS .500-13X5.000HXG5
2	344267	1	FW .510X2.15X.19 ZY
3	023317	8	NT .500-13UNTG8
4	767954	9	FW 0.379X.82X.06 HD ZY
5	054502	2	NT .375-16HXG5
6	036244	2	CS .375-16X1.00 HX G5 ZY
7	124432-1	1	IDLER SPRING MOUNT
8	781302	1	IDLER SPRING
9	025007	1	CS .62511X1.750HXG5
10	602304	1	PULLEY, 5" FLAT IDLER
11	602880	1	BUSHING, IDLER PIVOT
12	122905	1	TENSIONER W/A
13	015495	1	GREASE FITTING STRAIGHT
14	602879	1	BUSHING, IDLER PIVOT
15	767962	1	FW .531 x 1.063 x .175
16	781567	1	NT .500-13NLG5
17	606411	1	BELT HA SECTION
18	017616	8	CS .500-13X1.750HXG5
19	606401	1	TRANSMISSION, PARKER HTJ
20	606402	1	TRANSMISSION, PARKER HTJ

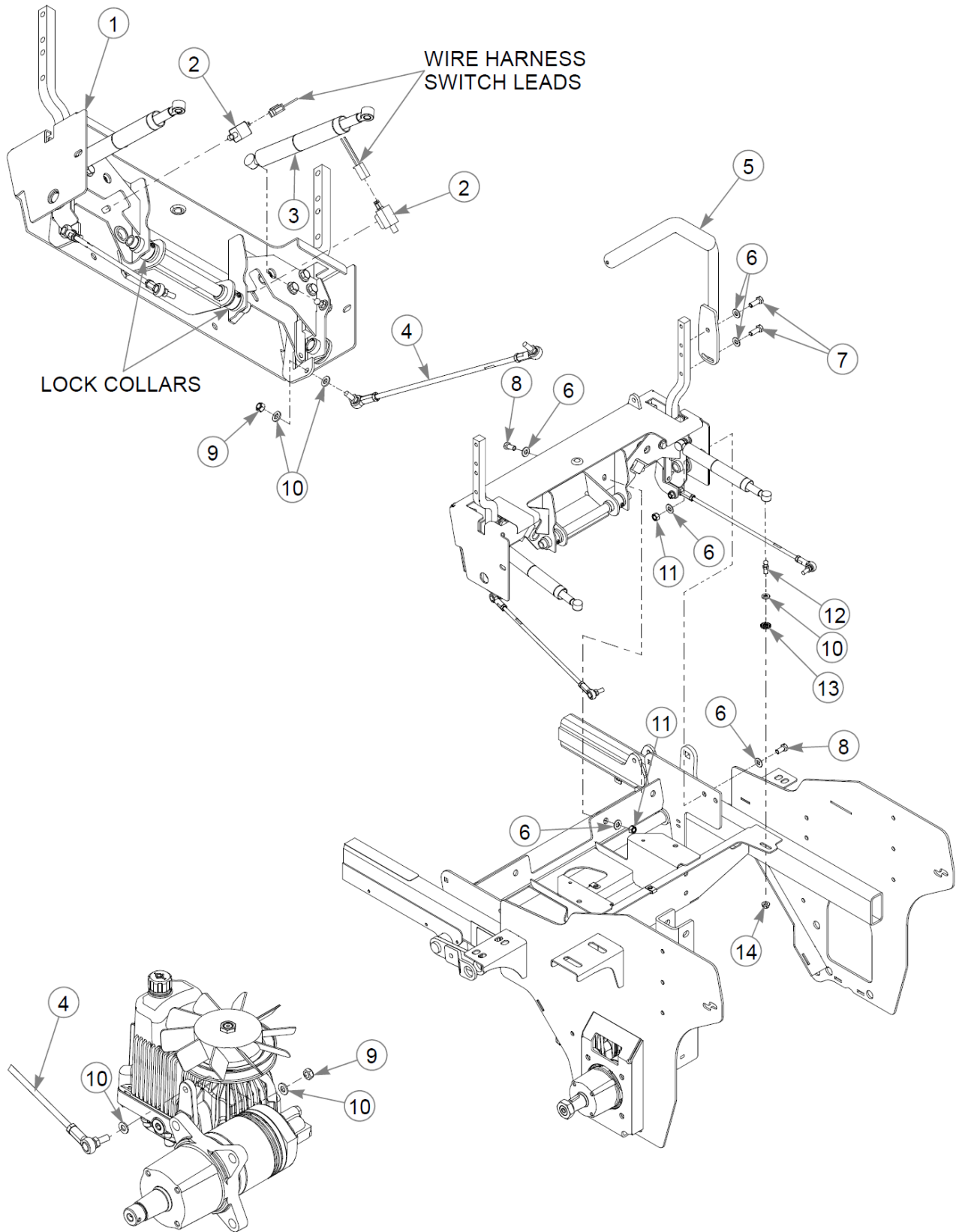
Comments for Page: Hydraulic System

1. Torque to 96–102 N•m. The tensioner should pivot freely.



Transmission Service Parts

Item	Part No.	Qty	Name
1	604132	1	SERVICE KIT, FAN/PULLEY
2	604131	1	RESERVIOR CAP
3	604126	1	FILTER
4	604130	1	PLUG & O-RING ASSEMBLY
5	064337	1	ROSS WOODRUFF KEY
6	065516	1	ROSS CASTLE NUT
7	606461	1	CONTROL LEVER PARKER

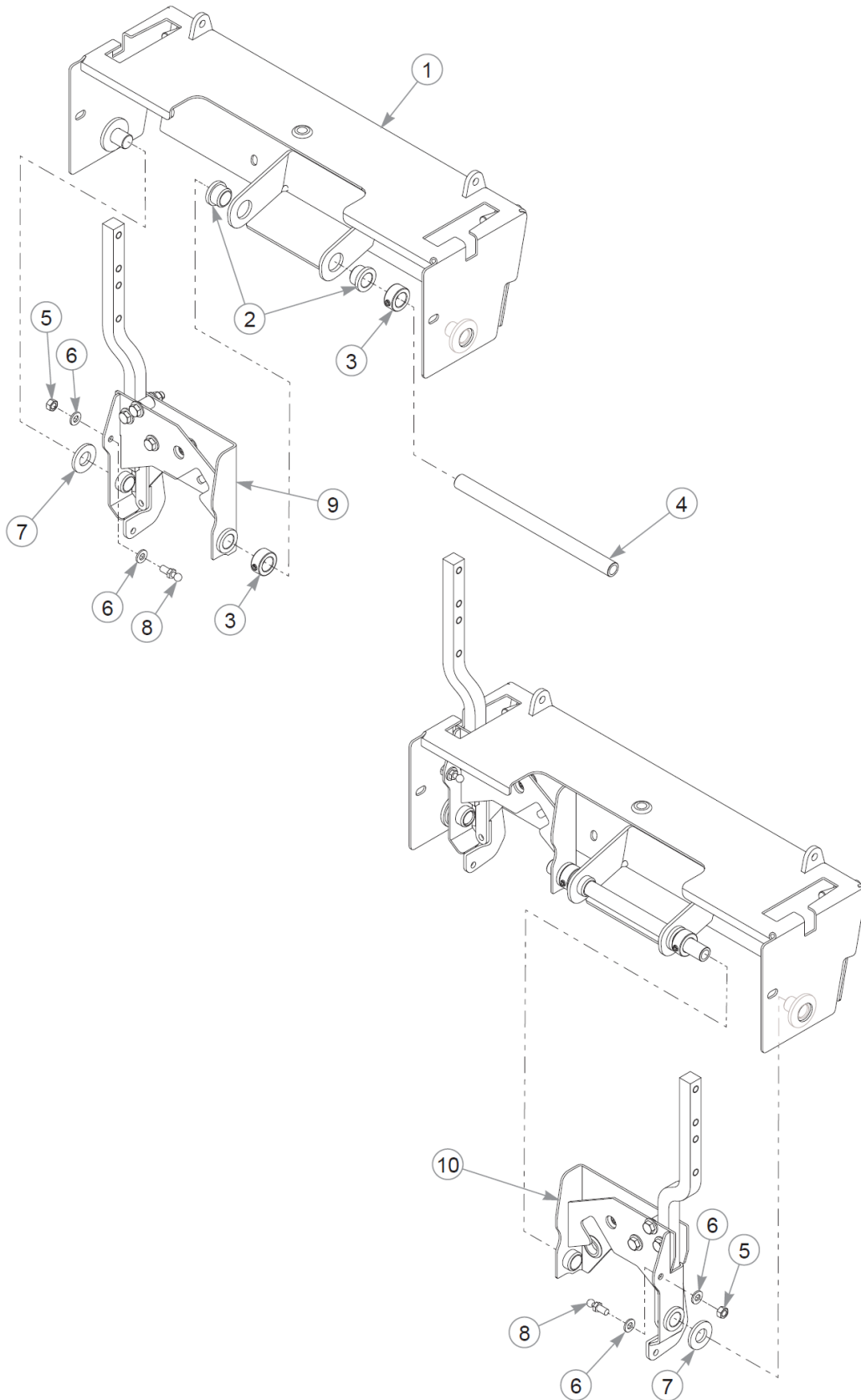


Steering

Item	Part No.	Qty	Name
1	N/A	1	STEERING ASSEMBLY
2	601087	2	SWITCH, PLUNGER N.O.
3	795351	2	DAMPER, CENTERING
4	606521	2	PUMP ROD ASSEMBLY
5	605924	2	STEERING BAR W/A
Not Shown	781260	2	GRIP, STEERING BAR
6	767954	12	FW 0.379X.82X.06 HD ZY
7	036244	4	CS .375-16X1.00 HX G5 ZY
8	055822	4	CS .375-16X0.75 HX G5 ZY
9	023655	4	NT 0.312-24 NL G8
10	768523	10	FW 0.343SAE
11	054502	4	NT .375-16HXG5
12	781922	2	BALL STUD
13	029876	2	LW .312 INTEXT ZY
14	016832	2	NT .312-18FLKG5

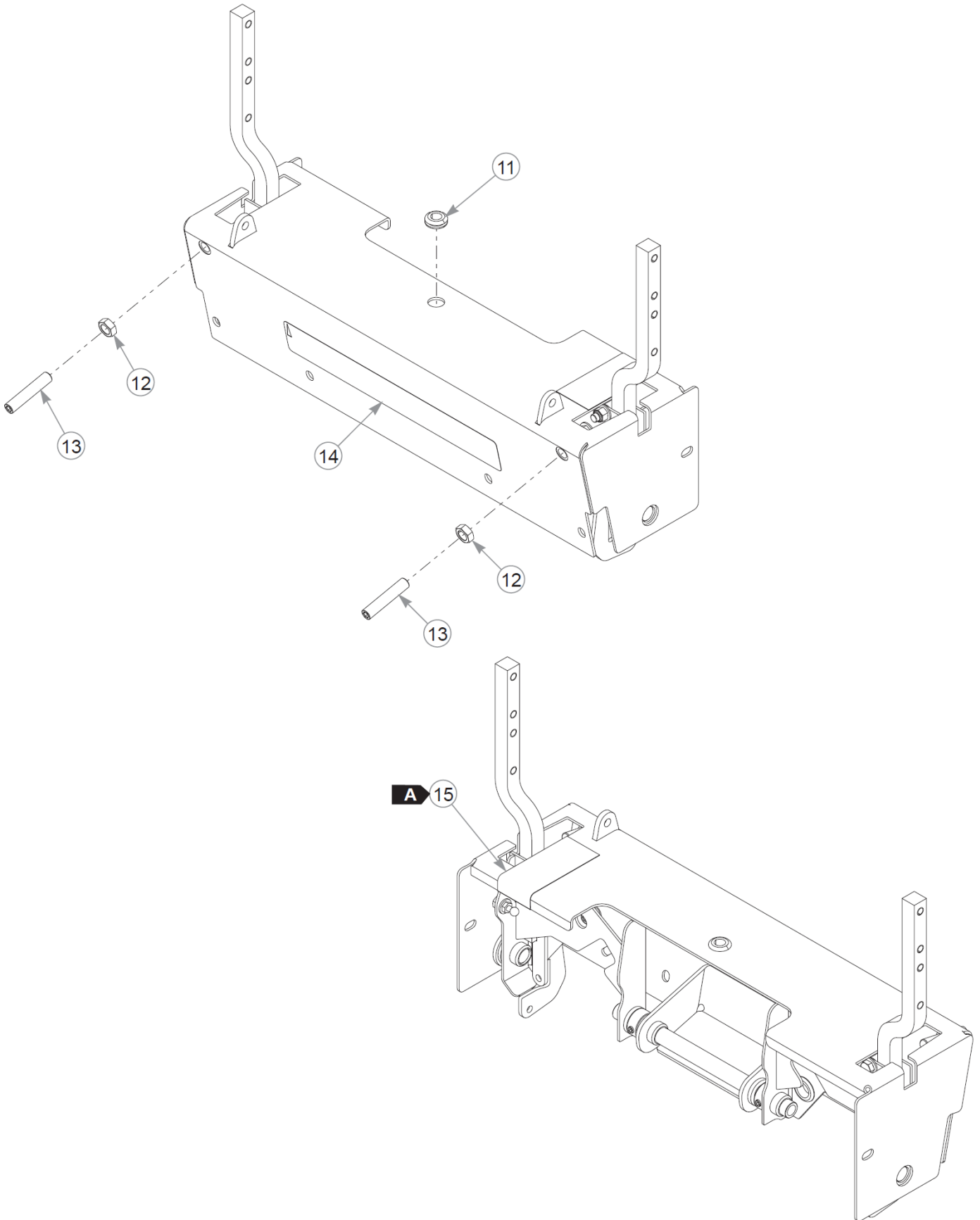
Comments for Page: Steering

1. The steering arm includes the grip.



Steering Cover Assembly (Multi-Page)

Item	Part No.	Qty	Name
1	112895	1	STEERING COVER W/A, SZ
2	781153	2	BUSHING, UHMW
3	784439	2	LOCK COLLAR,0.757 ID(FS)
4	113007	1	STEER PIVOT TUBE, SZ
5	034272	2	NT .312-18HXG5
6	768523	4	FW 0.343SAE
7	603078	2	FW .750X1.50X.16 ZY
8	781922	2	BALL STUD
9	N/A	1	STEERING BOX SUB, LH
10	N/A	1	STEERING BOX SUB, RH
11	080358	1	GM .50X1.00X.75X.12
12	053199	2	NT .500-13JAMG5
13	603055	2	SS .500-13X 2.50 SH ZNYC
14	605087	1	DECAL, X-ONE
15	722199	5.5"	POLYURETHANE 2" (FS)



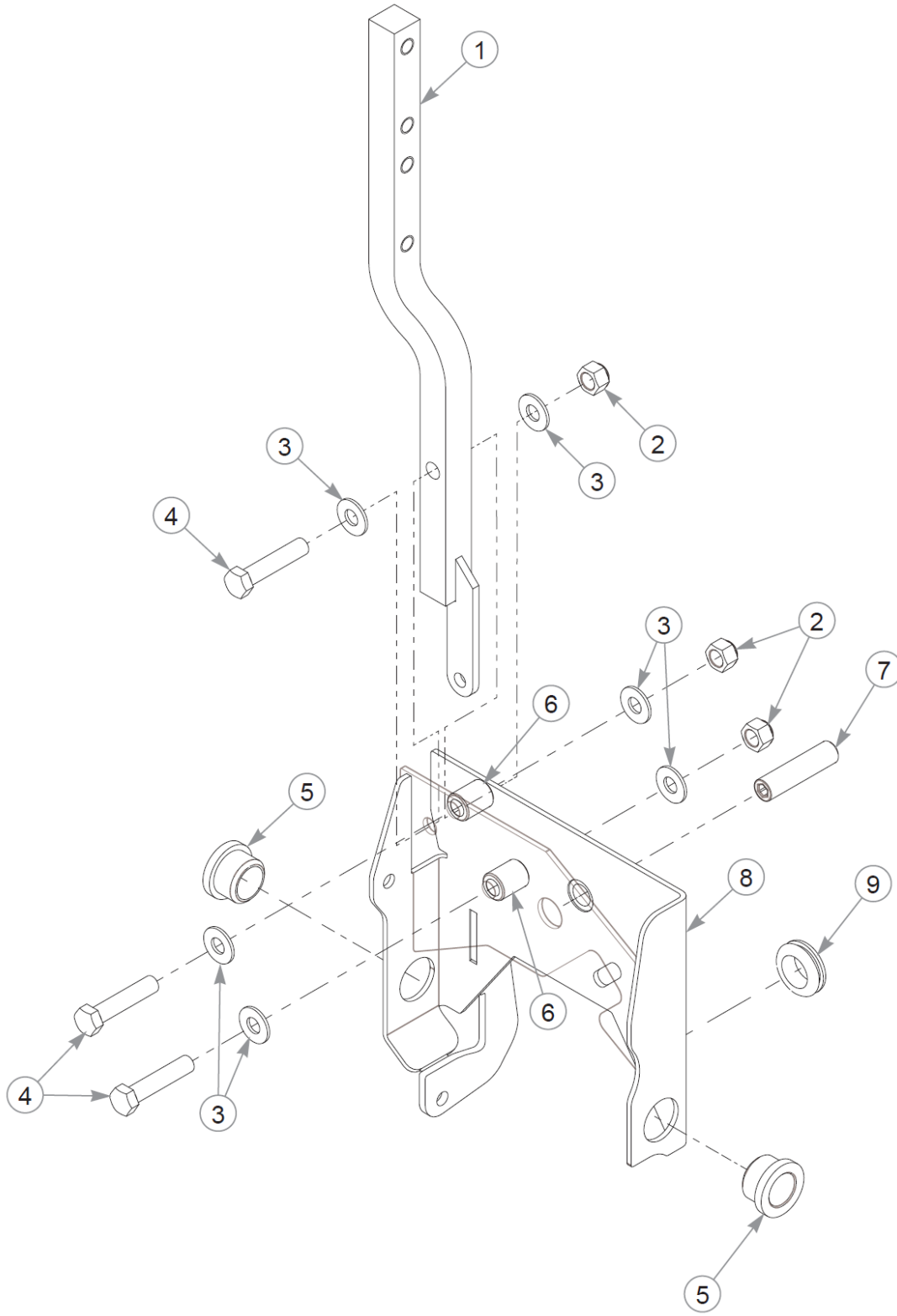
Steering Cover Assembly (Multi-Page)

Comments for Page: Steering Cover Assembly (Multi-Page)

WEAR TAPE LENGTH

A: 14 cm \pm 0.8 cm

Left Steering Box Assembly

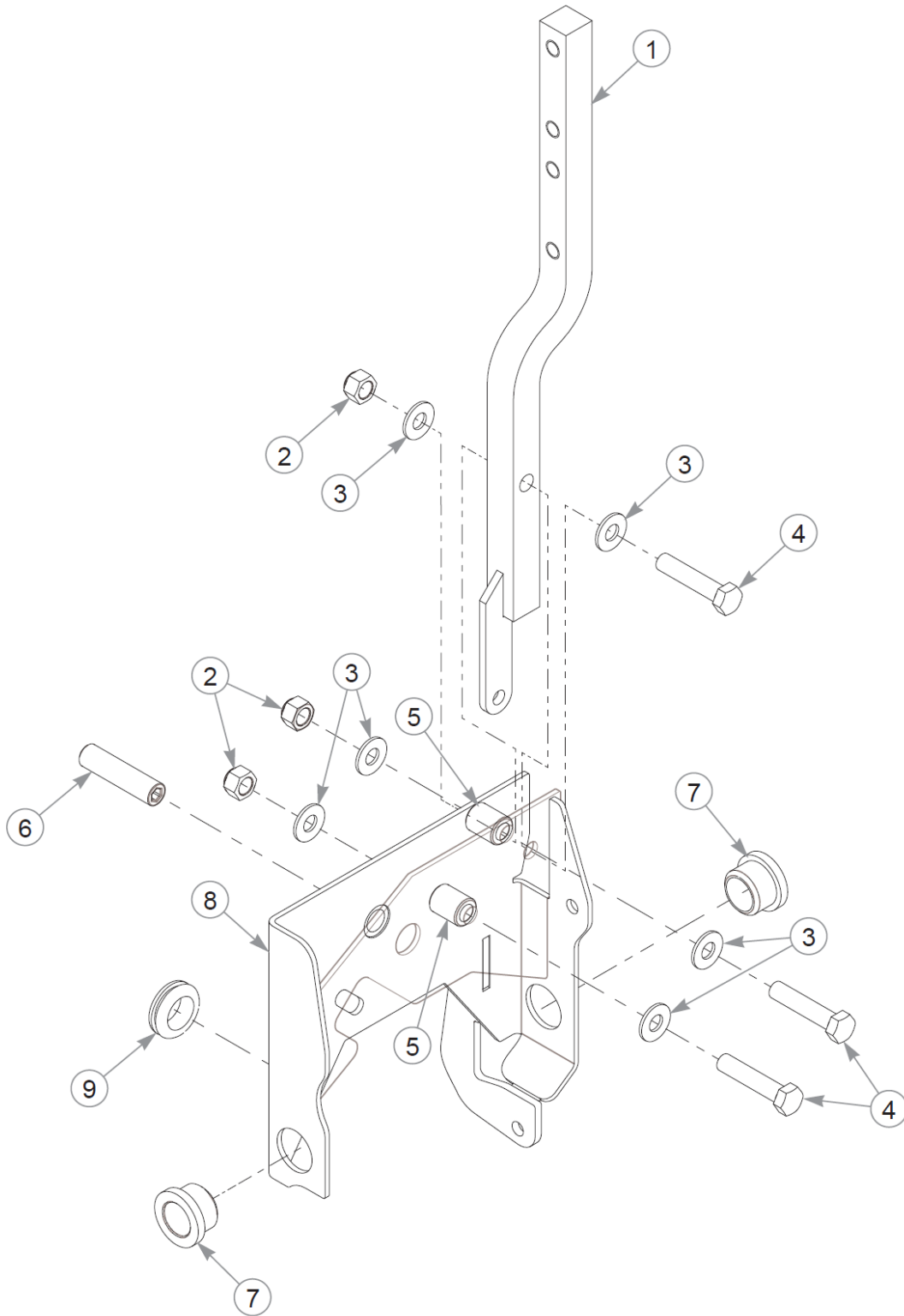


Left Steering Box Assembly

54" RD X-ONE Parts Manual - 936401CE - HTX1TR054KAWFX850VC

Item	Part No.	Qty	Name
1	113578	2	STEERING ARM W/A, HZ
2	086660	3	NT .375-16NLG8
3	767954	6	FW 0.379X.82X.06 HD ZY
4	705178	3	CS .375-16X1.750HXG5
5	781153	2	BUSHING, UHMW
6	348862	2	STEERLEVER BUSHING (PLA
7	797738	1	SS .500-13X2.000SH
8	123305	1	STEERING BOX W/A, LH
9	047456	1	GM .750X.188X1.00X.12

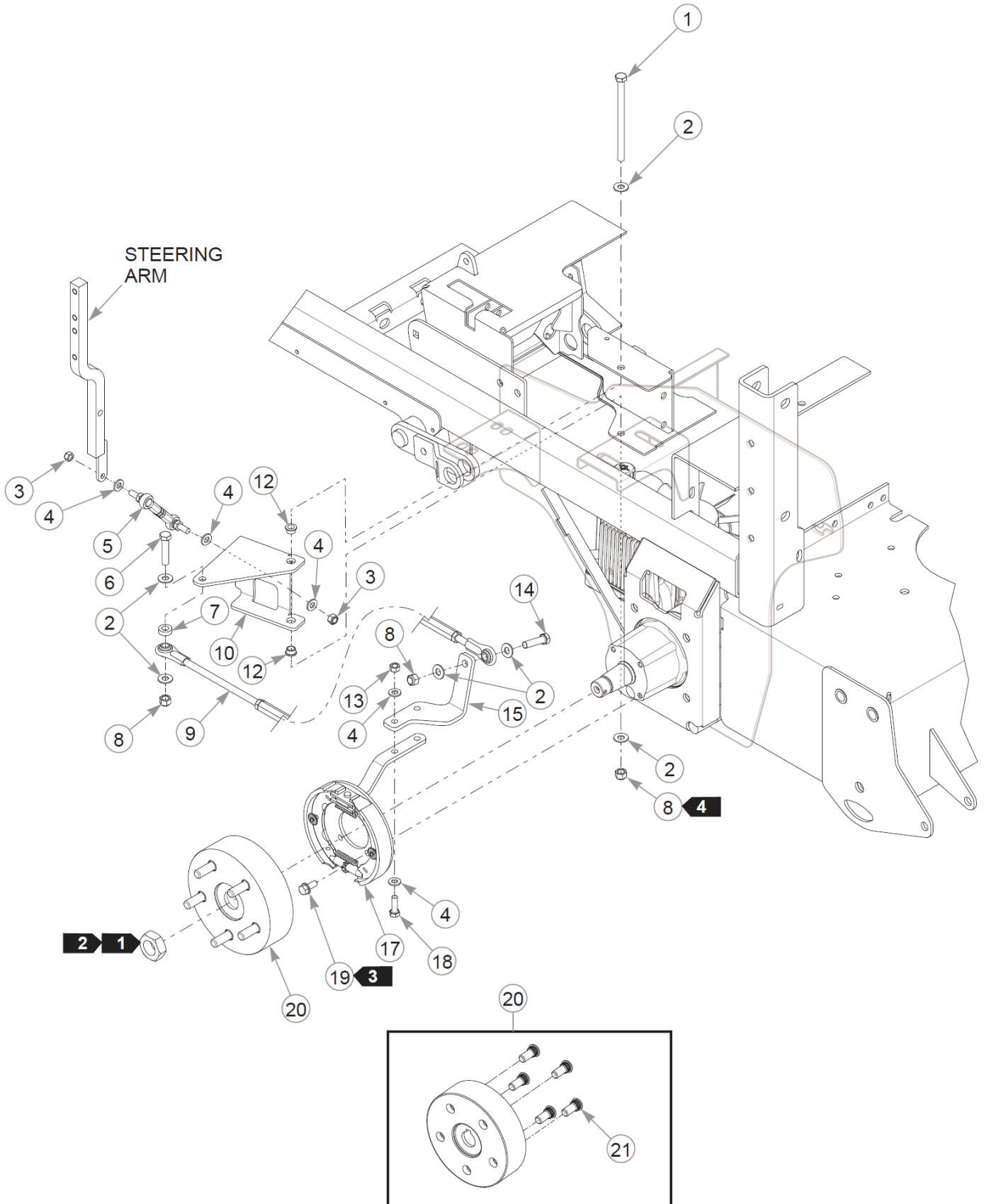
Right Steering Box Assembly



Right Steering Box Assembly

54" RD X-ONE Parts Manual - 936401CE - HTX1TR054KAWFX850VC

Item	Part No.	Qty	Name
1	113578	1	STEERING ARM W/A, HZ
2	086660	3	NT .375-16NLG8
3	767954	6	FW 0.379X.82X.06 HD ZY
4	705178	3	CS .375-16X1.750HXG5
5	348862	2	STEERLEVER BUSHING (PLA
6	797738	1	SS .500-13X2.000SH
7	781153	2	BUSHING, UHMW
8	123306	1	STEERING BOX W/A, RH
9	047456	1	GM .750X.188X1.00X.12

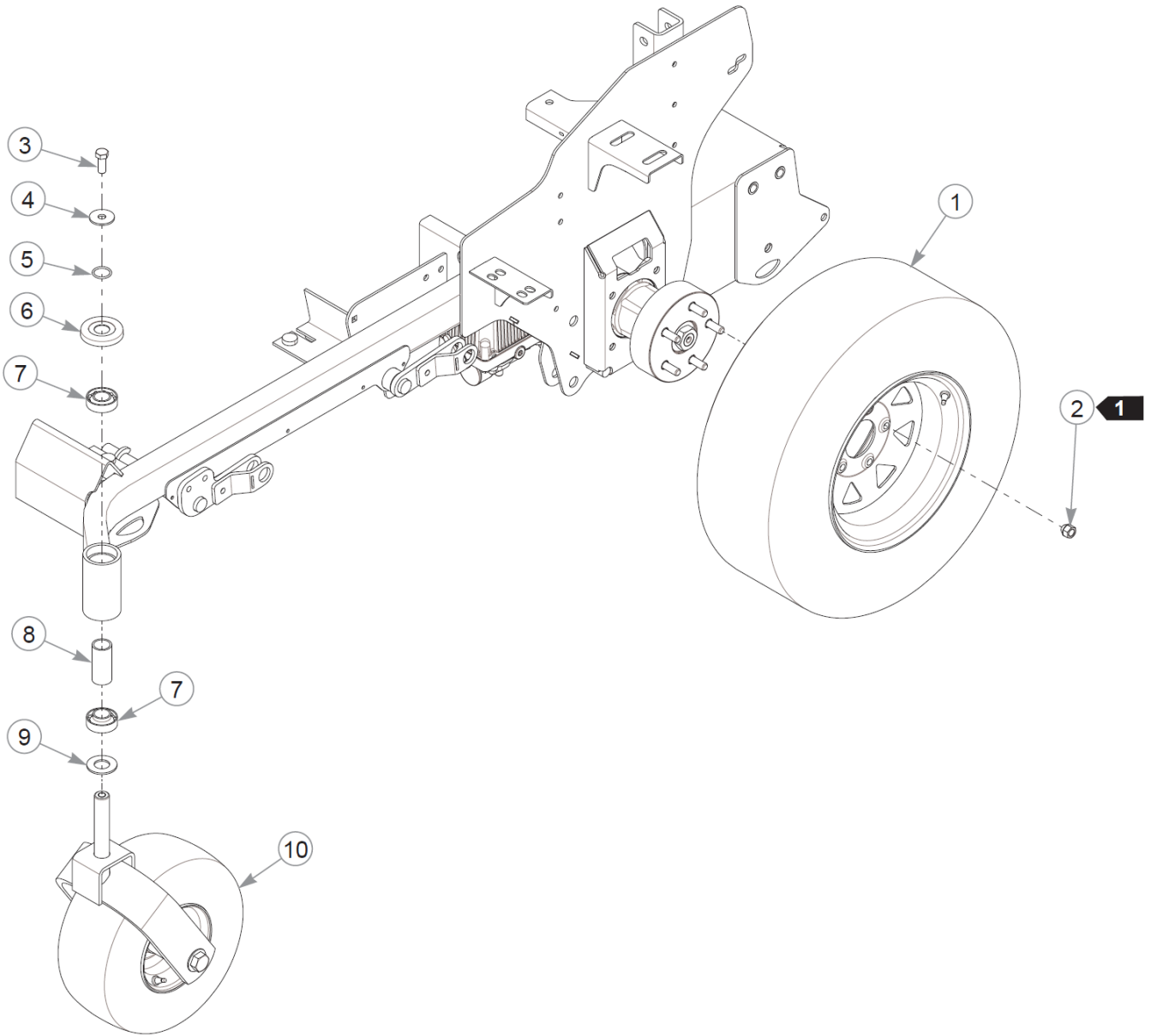


Brake

Item	Part No.	Qty	Name
1	748913	2	CS .375-16x5.50 GR5 ZN
2	767954	12	FW 0.379X.82X.06 HD ZY
3	023655	4	NT 0.312-24 NL G8
4	768523	14	FW 0.343SAE
5	781583	2	BRAKE ROD ASSEMBLY
6	705178	2	CS .375-16X1.750HXG5
7	073858	2	FW .406X .750X.250 ZNYC
8	086660	6	NT .375-16NLG8
9	350397	2	BRAKE LINK TURNBUCKLE A
10	123435	1	BELLCRANK, BRAKE - LH
11	123434	1	BELLCRANK, BRAKE - RH
12	765339	4	BUSHING,IGUS#0608 (FS)
13	034272	4	NT .312-18HXG5
14	080655	2	CS .375-16X1.500HXG5
15	123432	1	BRAKE ARM, LH
16	123433	1	BRAKE ARM, RH
17	602383	2	BRAKE ASSY, PARKER
18	036236	4	CS .312-18X1.000HXG5
19	604461	8	CS .312-18X.75HXG8 FLK
20	602384	2	HUB ASSY, PARKER
21	601085	10	STUD, WHEEL LUG 1/2-20

Comments for Page: Brake

1. Included with the wheel motor.
2. Torque to 298–325 N•m.
3. Torque to 34–38 N•m.
4. Do not torque; the nut should be snug but allow the brake bellcrank to pivot freely.
5. The hub assembly includes the studs.



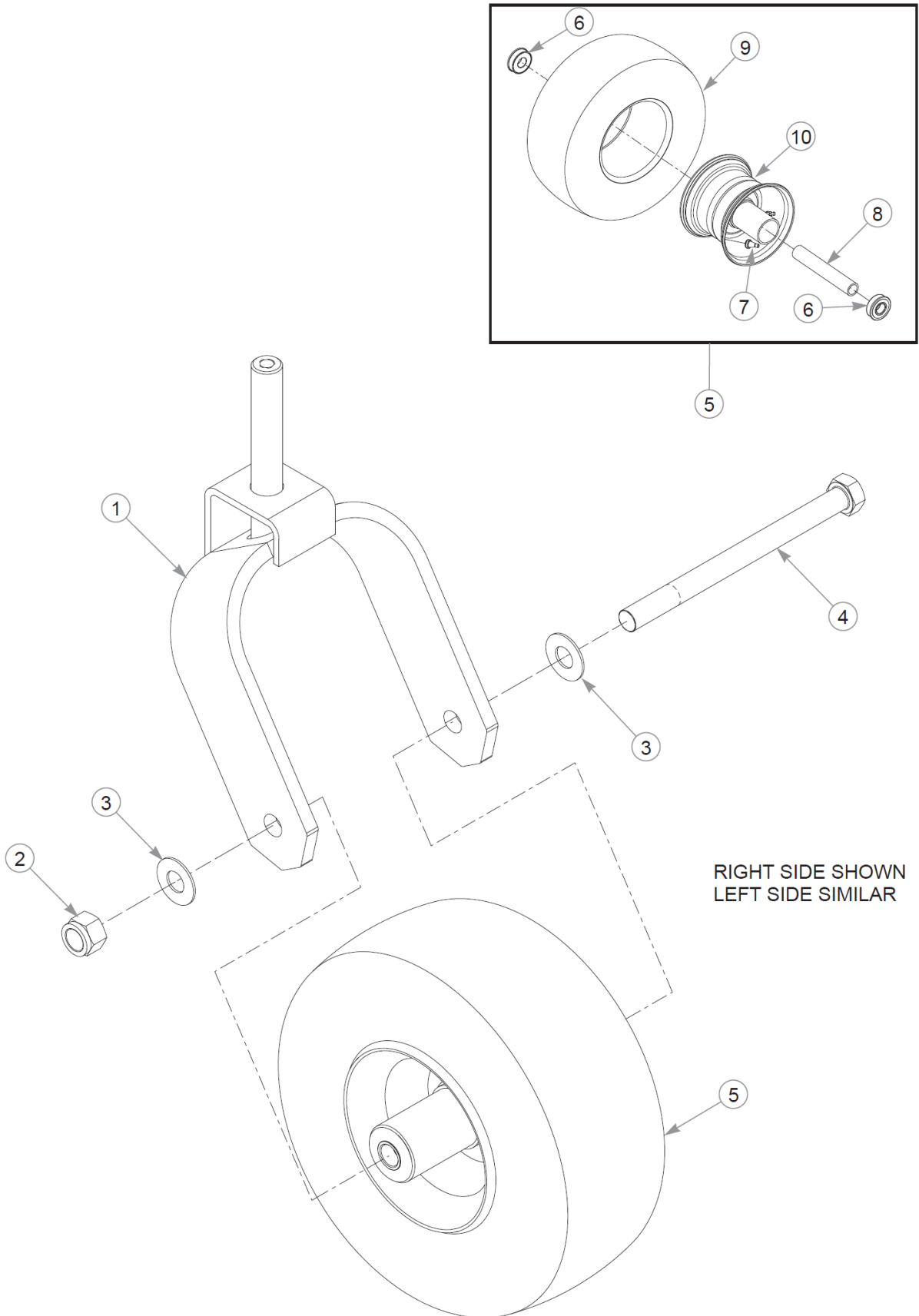
Wheel & Tire

Item	Part No.	Qty	Name
1	604106	2	TIR/WHL 24X9.50-12 SLV
2	061077	10	WHEEL NUT
3	705954	2	CS .500-13X1.25 HX G5 ZY
4	798603	2	FW .515X1.65X.12 HD ZY
5	601375	2	O-RING, SAE-14
6	603153	2	DUST CAP, SZ CASTER
7	784223	4	BEARING
8	387035	2	SPACER, 1.07x1.312x2.79
9	603164	2	BEARING DISC, FORK
10	N/A	1	FRONT TIRE S/A

Comments for Page: Wheel & Tire

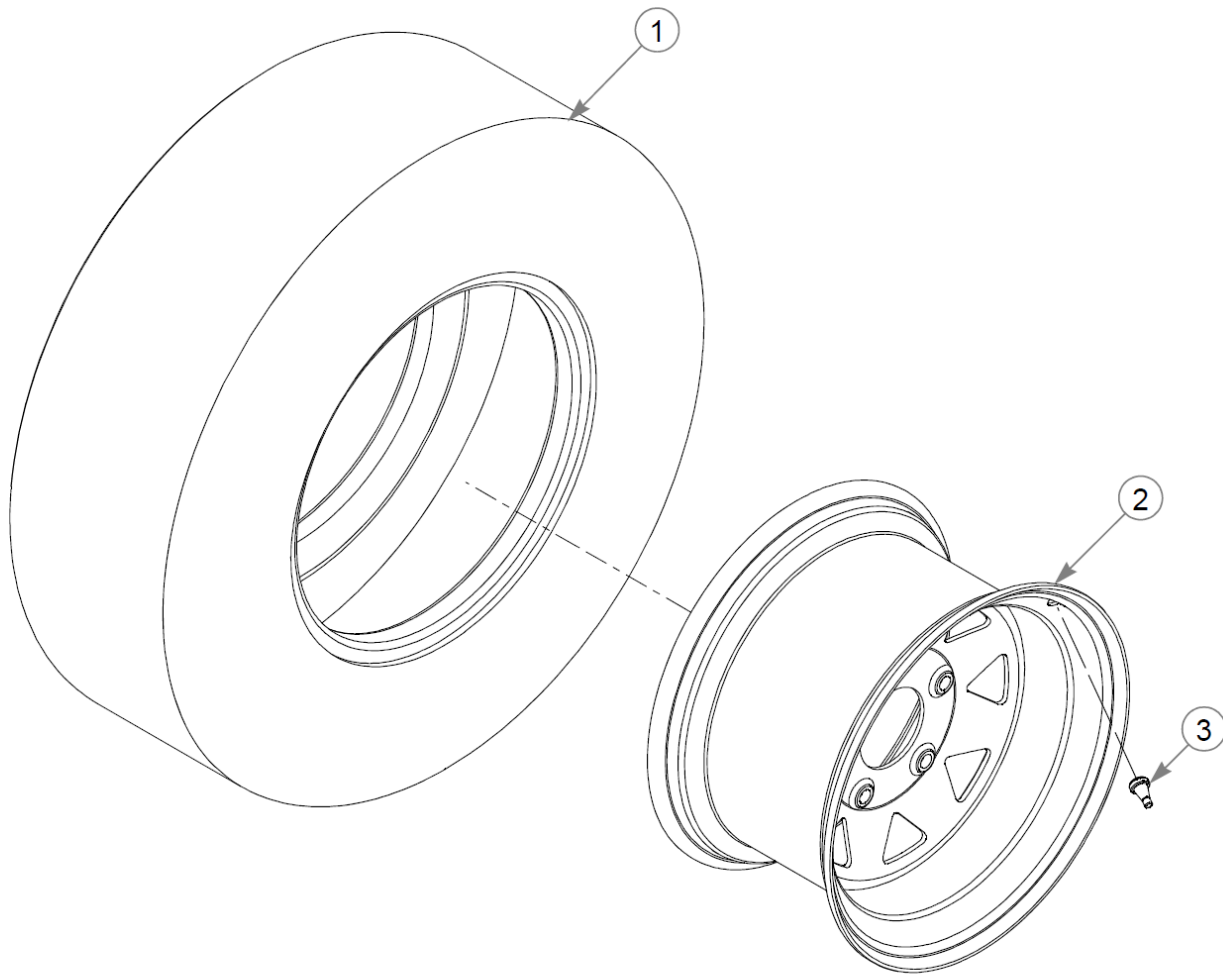
1. Torque to 88–102 N•m.

Front Wheel Breakdown



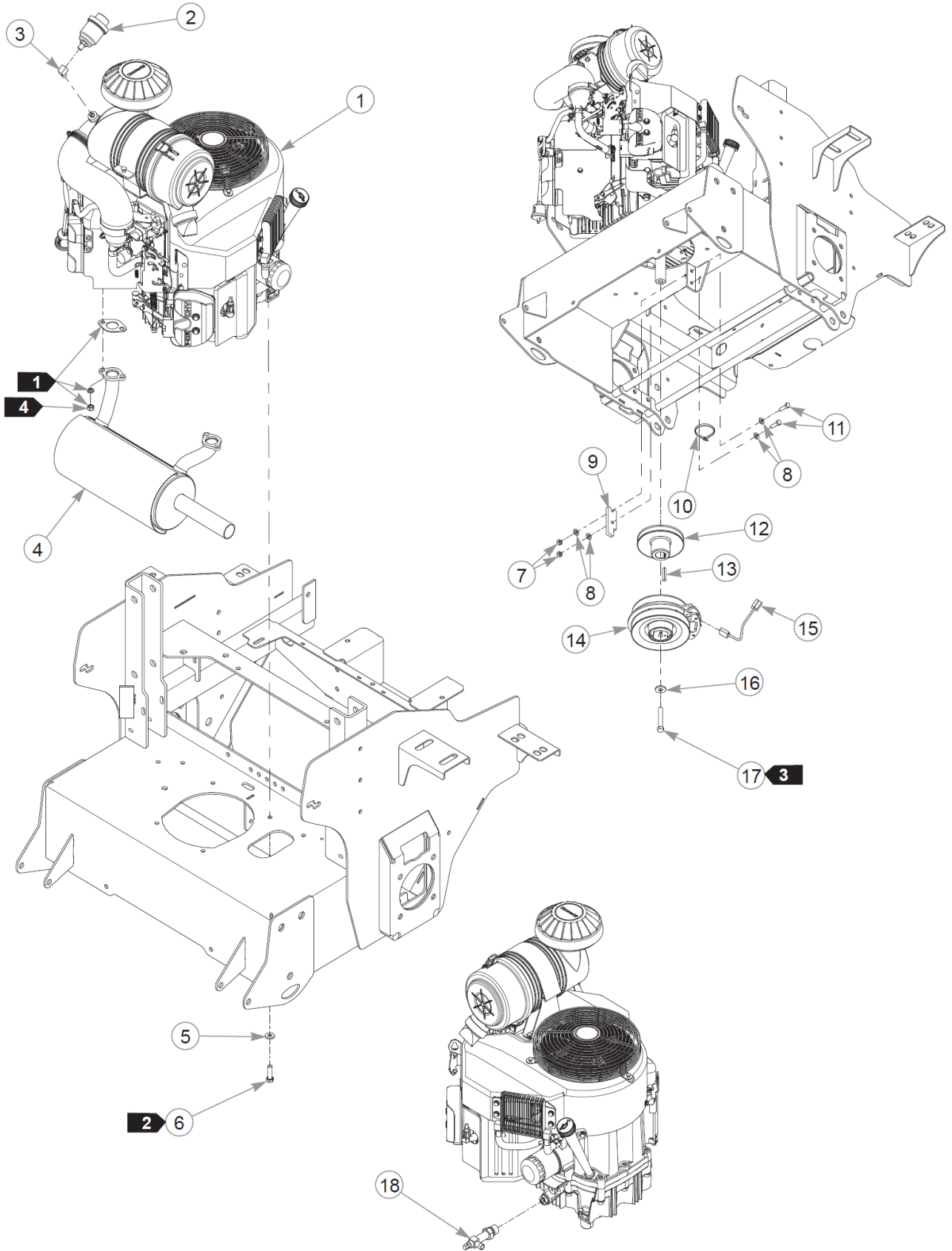
Front Wheel Breakdown

Item	Part No.	Qty	Name
1	116890	1	FORK W/A, HEAVY DUTY
Not Shown	113621	1	FORK W/A, STANDARD
2	061101	1	NT .750-10 HX ZY NL GR B
3	025296	2	FW .760X1.63X0.08 ZY
4	041475	1	CS .750-10X9.50 HX G5 ZY
5	604898	1	TIR/WHL 13X6.50-6 SLV
Comments for Part Num. 604898			
NOTE: Grease zerk is not available for purchase from Excel. Contact your local parts supply store for replacement zerk.			
6	039677	2	WHEEL BEARING
7	019521	1	TIRE VALVE TR-412 GOODY
8	782771	1	SPACER, BEARING (SERV P
9	604843	1	TIR 13X6.50-6 B4R SMTH
10	747832	1	WHL 6X4.50 SLV

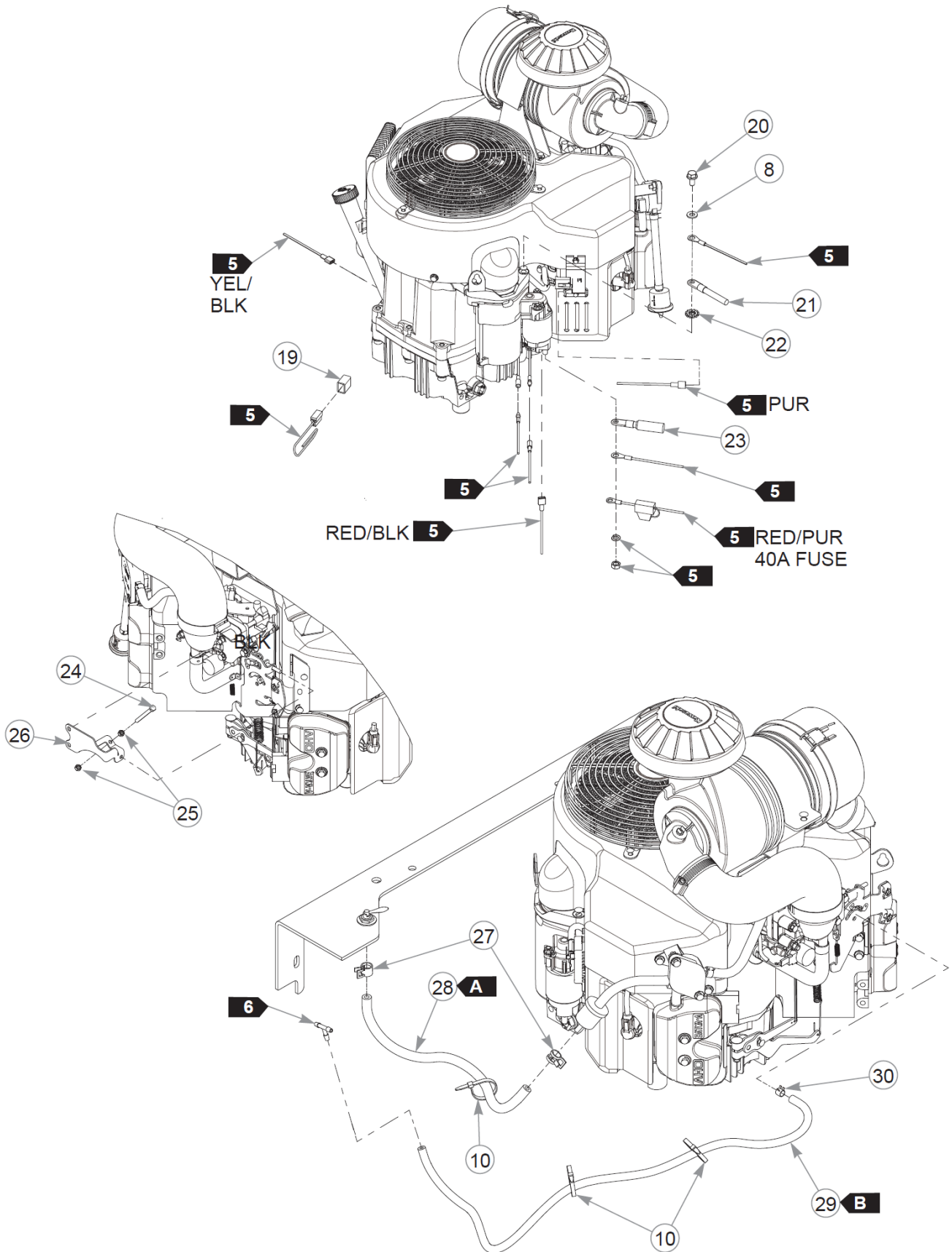


Drive Wheel Breakdown

Item	Part No.	Qty	Name
1	782284	1	TIR 24X9.50-12 B4R LTFT
2	604107	1	WHL 12X7.00 5X4.5 SLV
3	019521	1	TIRE VALVE TR-412 GOODY

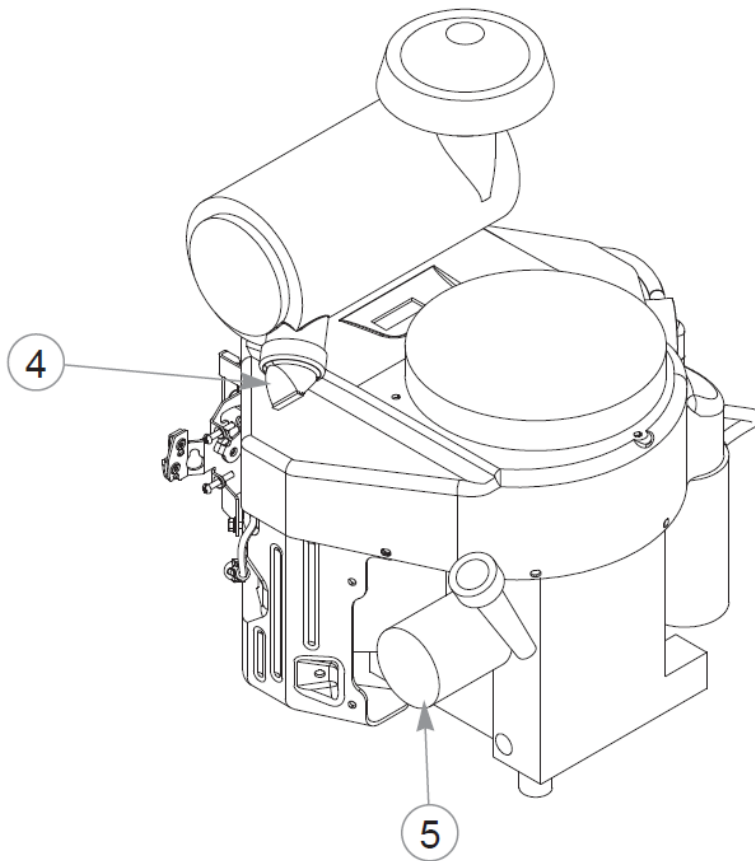
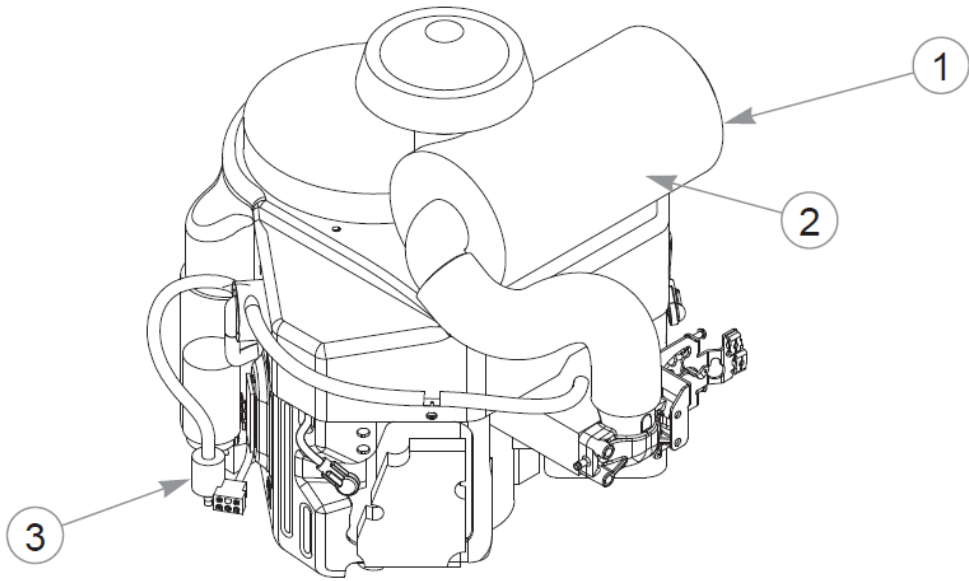


Item	Part No.	Qty	Name
1		1	ENGINE, KAW FX850V
2	788943	1	AIR FILTER INDICATOR
3	601216	1	FTG, ELBOW, STREET
4	603012	1	MUFFLER, FX850V
5	767954	4	FW 0.379X.82X.06 HD ZY
6	602580	4	CS .375-16X1.25HXG8ZYP85
7	034272	2	NT .312-18HXG5
8	768523	5	FW 0.343SAE
9	113946	1	CLUTCH ANCHOR
10	000331	4	WIRE TIE, SMALL/SHORT
11	036236	2	CS .312-18X1.000HXG5
12	606471	1	PULLEY, ENG 5.318 OP
13	212076	1	KEY 1/4 SQ X 1.50 LG(FS)
14	606404K	1	CLUTCH KIT
15	791251	1	HARNESS, CLUTCH PIGTAIL
<p>Comments for Part Num. 791251</p> <p>Pigtail was updated with epoxy to hold the wires steady. The wire sheath was also updated to a more flexible material.</p>			
16	602680	1	FW .453X1.12X.12 HRD ZY
17	785659	1	CS .437-20X2.50 HXG5 P85
18	796524	1	VALVE,OIL DRAIN M20x2.5
19	789131	1	CAP, HUSTLRZ FAN CON(FS)
20	720516	1	CS M8-1.25X16HX FL10.9
21	796219	1	BATTERY CABLE,NEG 36" D
22	029876	1	LW .312 INTEXT ZY
23	744276	1	BATTERY CABLE POSITIVE
24	603524	1	CS M5-0.8 X 50 MM
25	048934	2	NT M5-0.8 HX GRD 8.8 ZN
26	120231	1	BRACKET, THROTTLE FX850V
27	000323	2	CLIP, HOSE CLAMP
28	015818	42 cm	FUEL LINE, 1/4"
<p>Comments for Part Num. 015818</p> <p>Sold by the foot.</p>			
29	603326	81 cm	VAPOR LINE, 3/16"



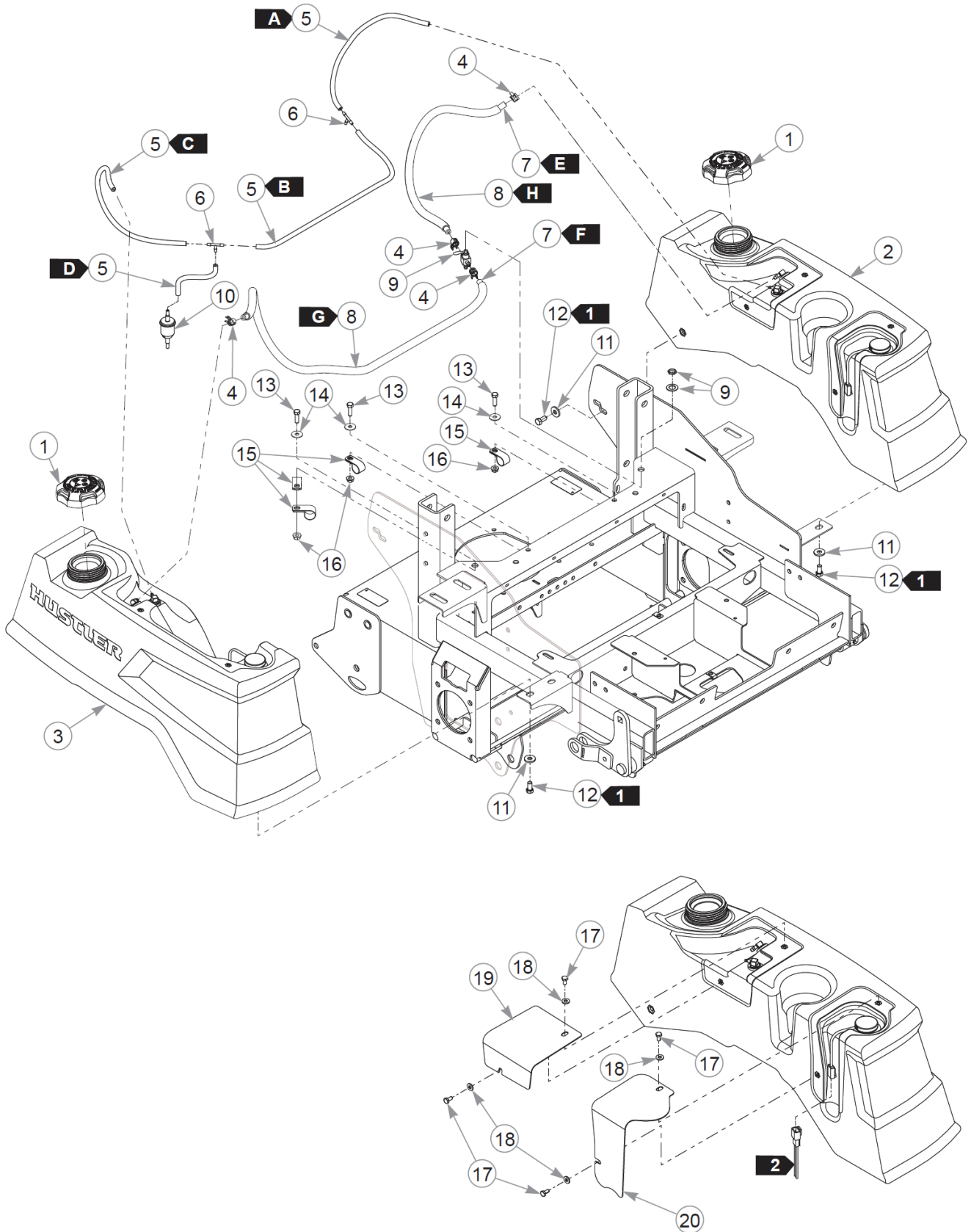
Engine (Multi-Page)

Item	Part No.	Qty	Name
Comments for Part Num. 603326			
Sold by the foot.			
30	603112	1	CLAMP, 3/16 FUEL



Engine Service Parts

Item	Part No.	Qty	Name
1	785261	1	AIR FLTR ELEMENT - MAIN
2	785279	1	AIR FLTR ELEMENT -SAFETY
3	068478	1	FUEL FILTER IN-LINE
4	763318	1	VALVE, VACUATOR (SERV P
5	603138	1	OIL FILTER, KAW



Fuel System

Item	Part No.	Qty	Name
1	603807	2	CAP, 3.5" RATCHETING GAS
2	606434	1	TANK, FENDER LH ASSY
3	606433	1	TANK, FENDER RH ASSY
4	000323	4	CLIP, HOSE CLAMP
5	603326	71.5"	VAPOR LINE, 3/16"
<p>Comments for Part Num. 603326</p> <p>Sold by the foot.</p>			
6	604281	2	TEE, 3/16" PLASTIC
7	015818	67"	FUEL LINE, 1/4"
<p>Comments for Part Num. 015818</p> <p>Sold by the foot.</p>			
8	605215	65"	FUEL LINE THERMAL SHIELD
<p>Comments for Part Num. 605215</p> <p>Sold by the foot.</p>			
9	745059	1	FUEL VALVE 3-WAY
10	604323	1	FILTER, VAPOR SYSTEM
11	712919	10	FW 0.406X1.00X.12 HD ZY
12	055822	10	CS .375-16X0.75 HX G5 ZY
13	036236	3	CS .312-18X1.000HXG5
14	079210	3	FW 0.344X1.0X0.06 ZY
15	043570	4	CLIP - HOSE - SINGLE(FS)
16	016832	3	NT .312-18FLKG5
17	055947	4	CS .250-20X0.50 HX G5 ZY
18	768515	4	FW 0.281SAE
19	123182	1	COVER, FUEL LINES
20	123181	1	COVER, FUEL SENDER
21	000331	2	WIRE TIE, SMALL/SHORT

Comments for Page: Fuel System

FUEL & VAPOR LINE LENGTHS

A: 48 cm LEFT TANK TO TEE (VAPOR)

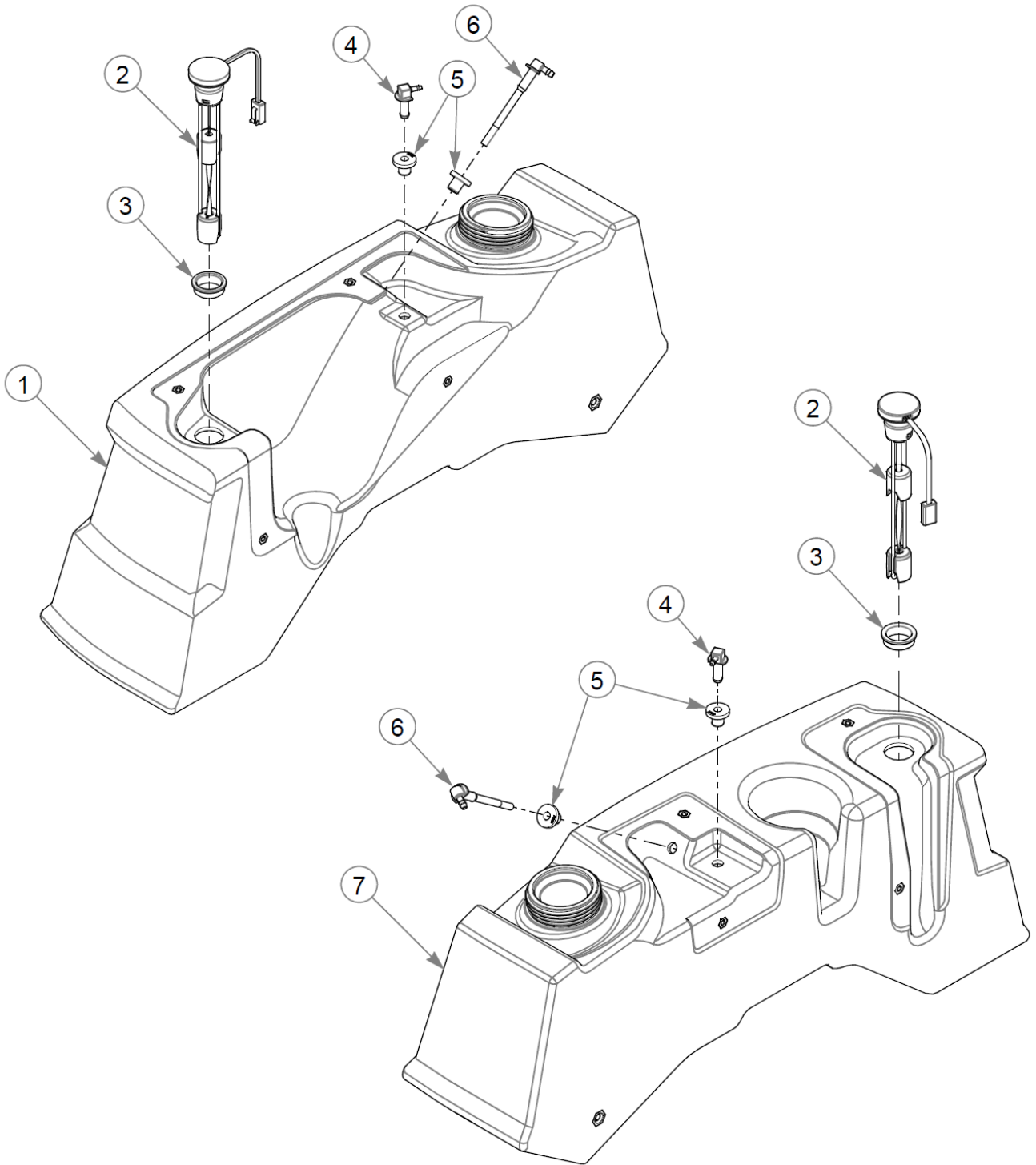
B: 61 cm TEE TO TEE (VAPOR)

Fuel System

- C: 56 cm RIGHT TANK TO TEE (VAPOR)
- D: 17 cm TEE TO FILTER (VAPOR)
- E: 58 cm LEFT TANK TO VALVE (FUEL)
- F: 112 cm RIGHT TANK TO VALVE (FUEL)
- G: 69 cm FUEL LINE THERMAL SHIELD

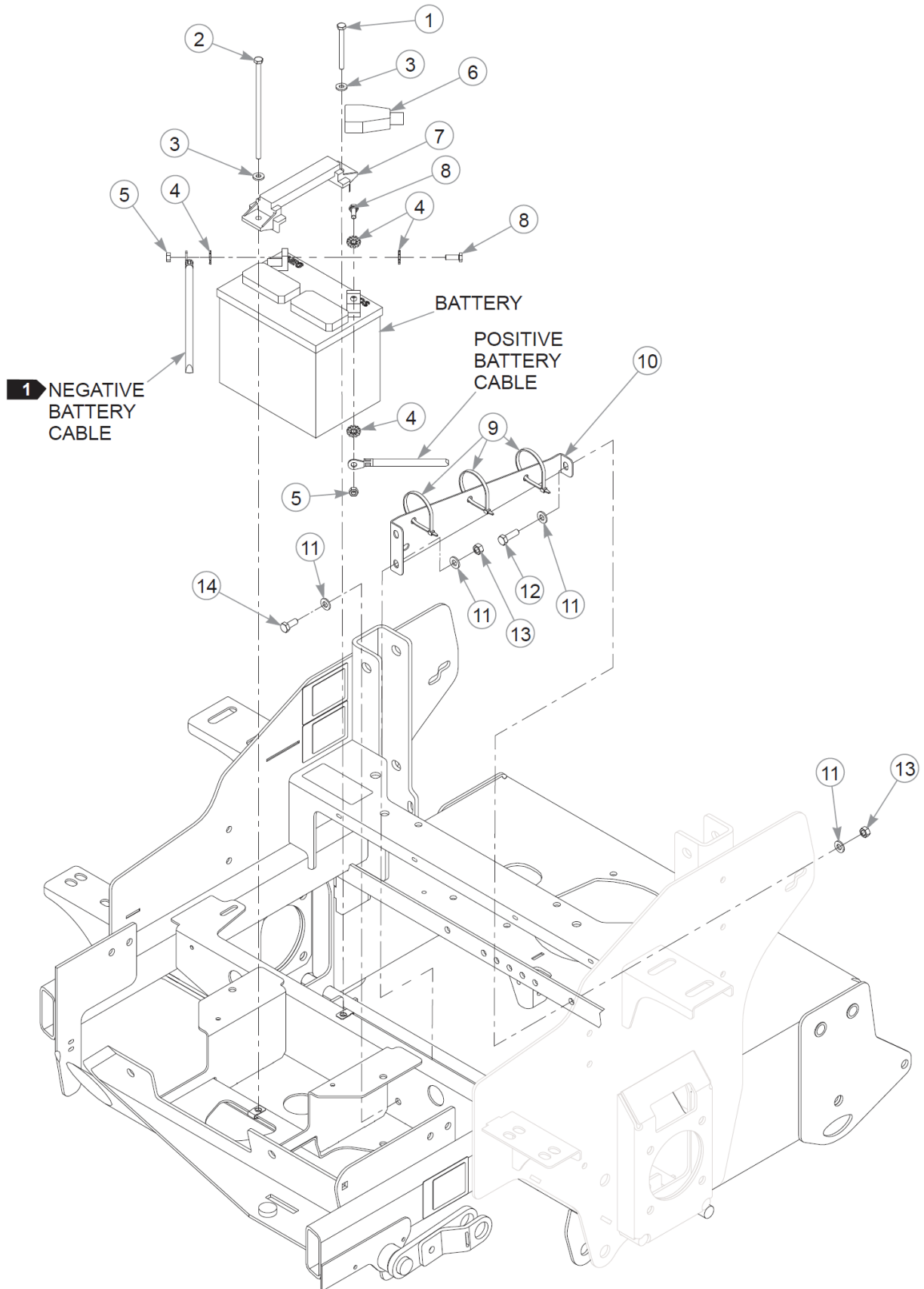
1. Torque to 22 N•m.
2. Part of the wire harness.

This page intentionally left blank



Fuel Tank Service Parts

Item	Part No.	Qty	Name
1	606433	1	TANK, FENDER RH ASSY
2	603888	2	FUEL SENDER
<p>Comments for Part Num. 603888</p> <p>When replacing the Fuel Sender, also replace 605648 Fuel Grommet.</p>			
3	605648	2	GROMMET, FUEL
4	604287	2	VENT FITTING, 3/16" BARB
5	604200	4	VITON GROMMET
6	605159	2	SUCTION HOSE ASSY 20.5
7	606434	1	TANK, FENDER LH ASSY

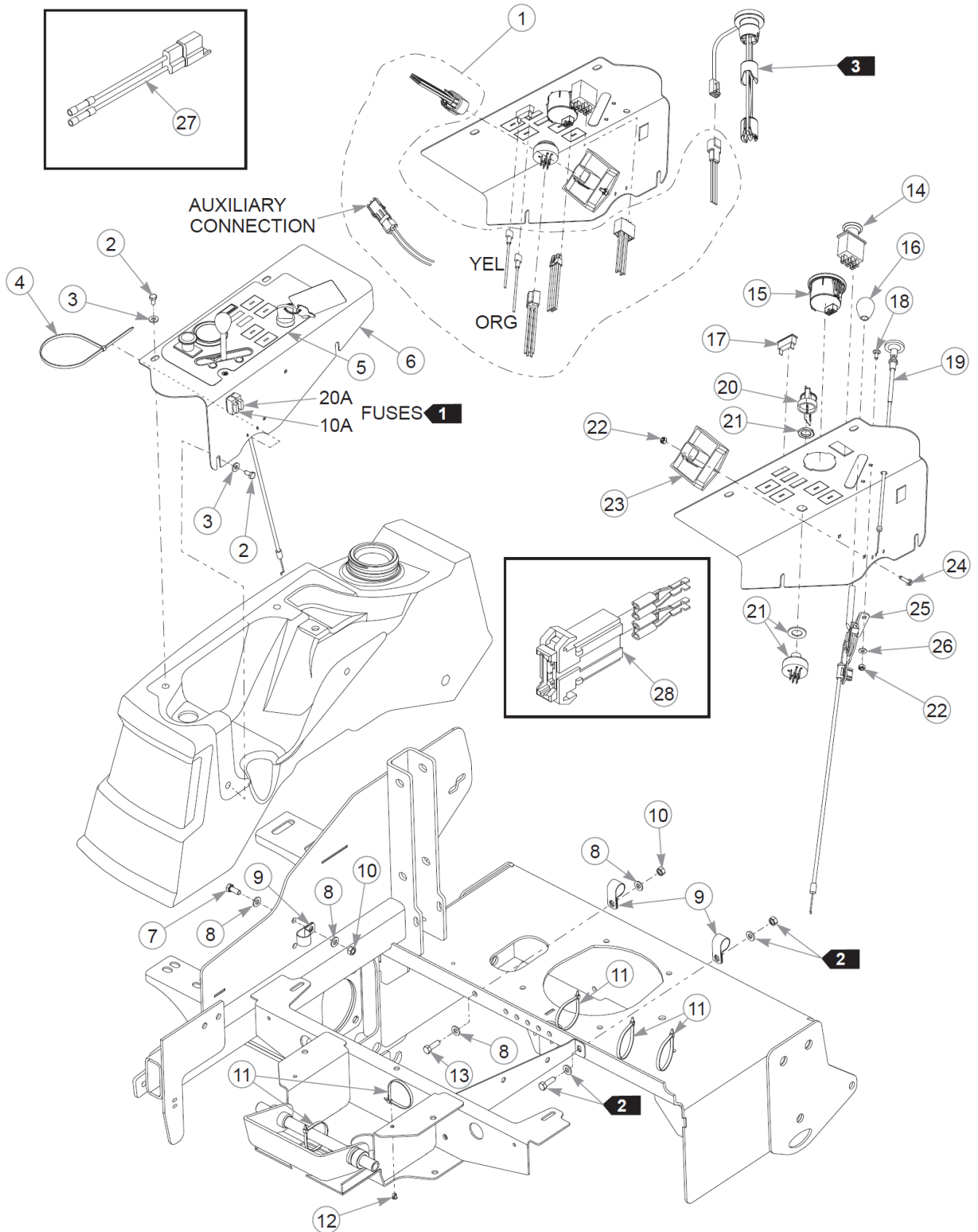


Battery

Item	Part No.	Qty	Name
1	794156	1	CS .250-20X2.750HXG5
2	601930	1	CS .250-20 X 6.50 HX G5
3	768515	2	FW 0.281SAE
4	029868	4	LW .250 INTEXT ZY
5	024927	2	NT .250-20HXG5
6	771428	1	BATTERY CBL BOOT-RED(FS)
7	604178	1	STRAP, TIE DOWN
8	055939	2	CS .250-20X0.75 HX G5 ZY
9	000331	4	WIRE TIE, SMALL/SHORT
10	124384-1	1	SUPPORT, CABLE
11	768523	6	FW 0.343SAE
12	036236	1	CS .312-18X1.000HXG5
13	034272	3	NT .312-18HXG5
14	034280	2	CS .312-18X0.750HXG5

Comments for Page: Battery

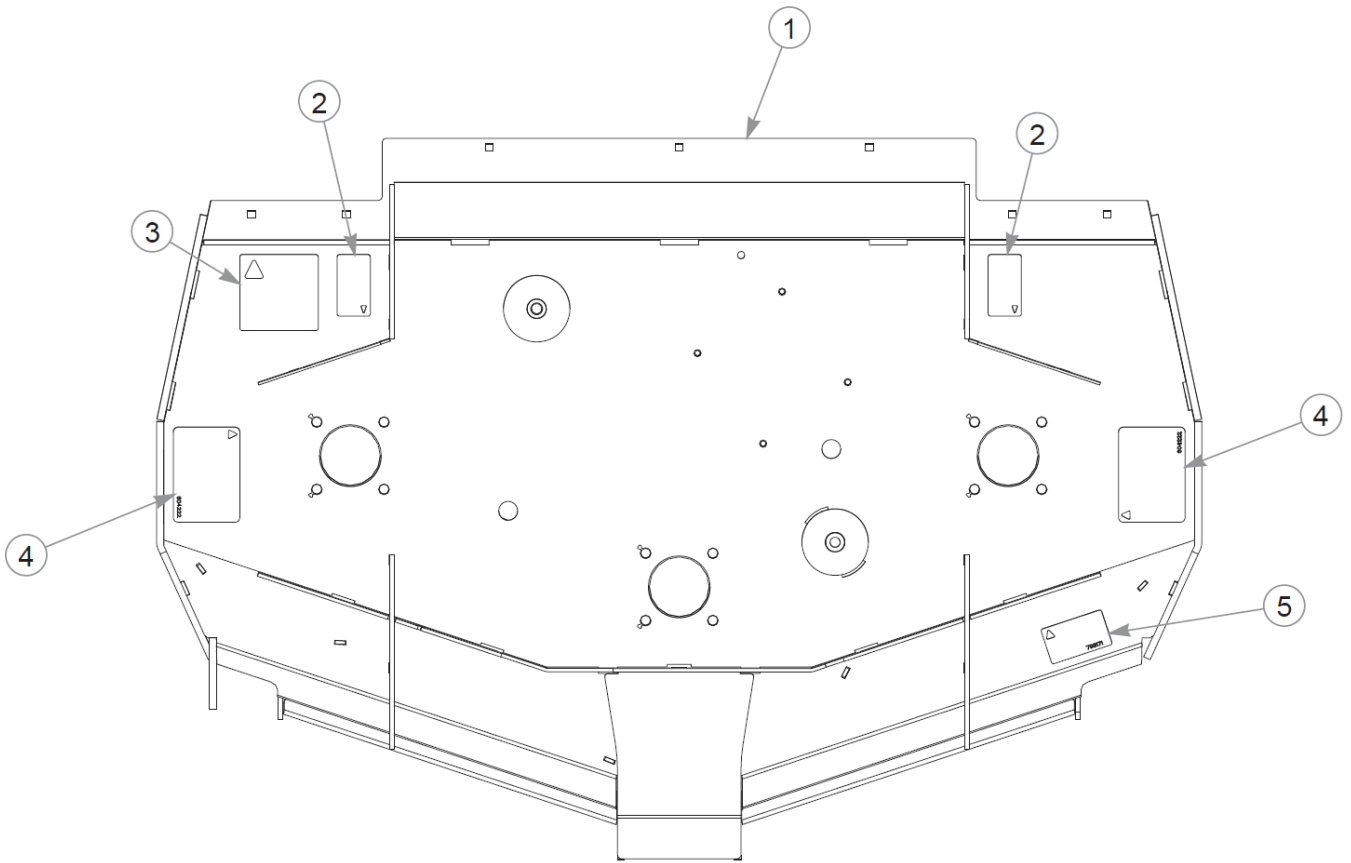
1. Do not connect the negative battery cable to the battery until ready to start the engine.



Item	Part No.	Qty	Name
1	604241	1	WIRE HARNESS, ATZ/SZ
2	055947	4	CS .250-20X0.50 HX G5 ZY
3	768515	4	FW 0.281SAE
4	000430	1	WIRE TIE, SMALL/LONG
5	606466	1	DECAL, INSTR PANEL
6	553845	1	SVC, INSTR PANEL
7	034280	1	CS .312-18X0.750HXG5
8	768523	4	FW 0.343SAE
9	043570	3	CLIP - HOSE - SINGLE(FS)
10	034272	2	NT .312-18HXG5
11	000331	5	WIRE TIE, SMALL/SHORT
12	604307	1	MOUNT, PUSH BUTTON
13	036236	1	CS .312-18X1.000HXG5
14	776476	1	SWITCH, PTO 6201-321
15	606068	1	GUAGE, FUEL/HOURMETER
16	603523	1	KNOB
17	712257	1	INDICATOR LIGHT, RED(FS)
18	601098	2	CB 10-24 X .500 ZYNC
19	786657	1	CABLE, CHOKE
20	785808	1	KEY ASSEMBLY
21	045898	1	IGNITION SWITCH
22	059832	4	NT #10-24 HX NL ZN
23	604373	1	RELAY CONTROL MODULE
24	063198	2	CS #10-24X0.750FLKG5
25	603475	1	CABLE, THRTL 43"
26	704932	2	FW 0.219X.50X.05 ZY
27	114052	1	KIT, CLUTCH CONN. REP.
28	601047	1	HOLDER, FUSE

Comments for Page: Instrument Panel & Wire Harness

1. Part of the wire harness.
2. Part of the Battery Assembly.
3. Part of the Fuel Assembly.
4. The instrument panel includes the decal.

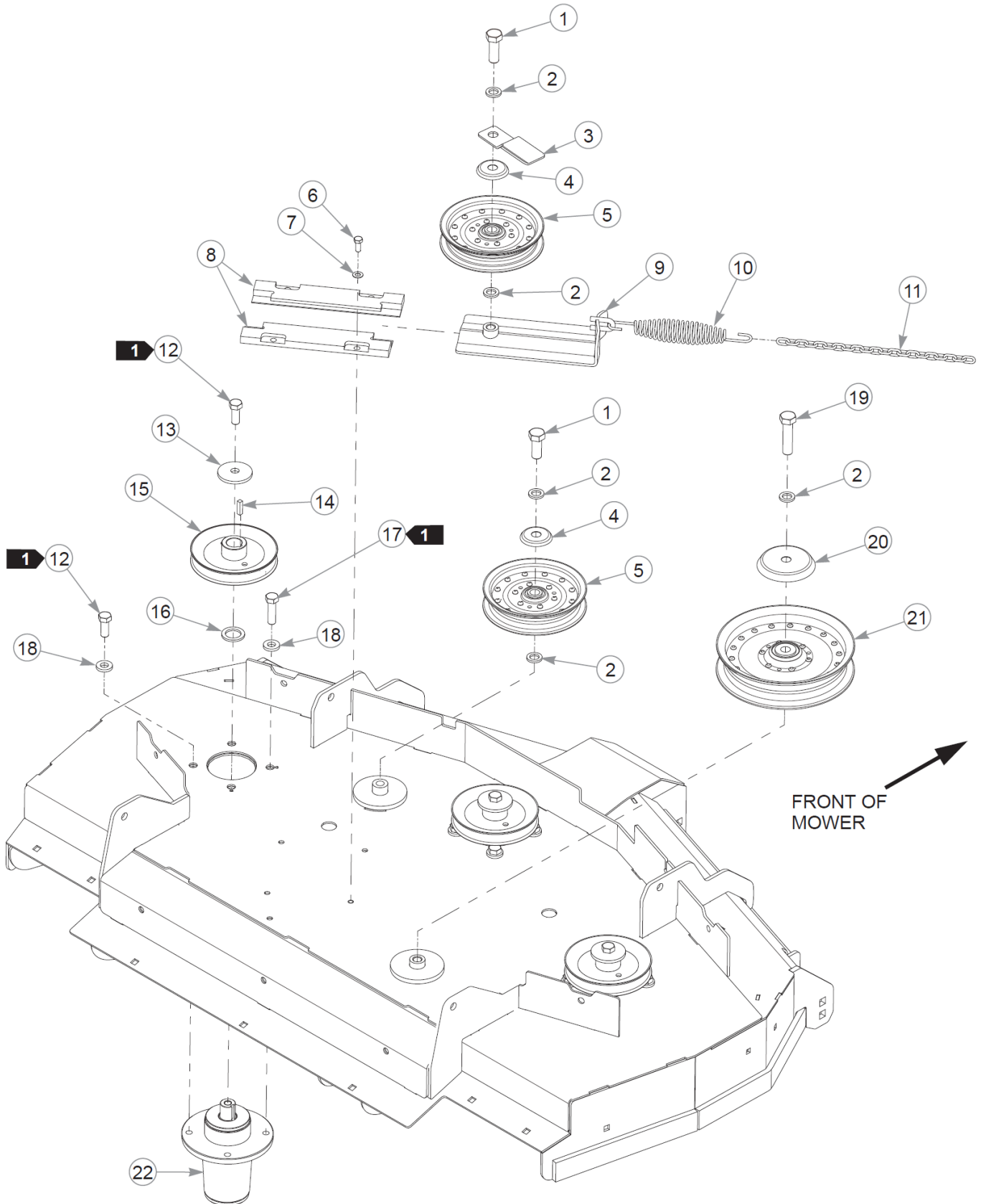


Service Deck

Item	Part No.	Qty	Name
1	553731	1	SVC, DECK DECAL
2	603391	2	DECAL, RUBBER FLAP
3	781419	1	DECAL, BELT ROUTING
4	604222	2	DECAL, DANGER / OBJECTS
5	799171	1	DECAL, Z 54" Deck ID

Comments for Page: Service Deck

1. The deck includes the decals.

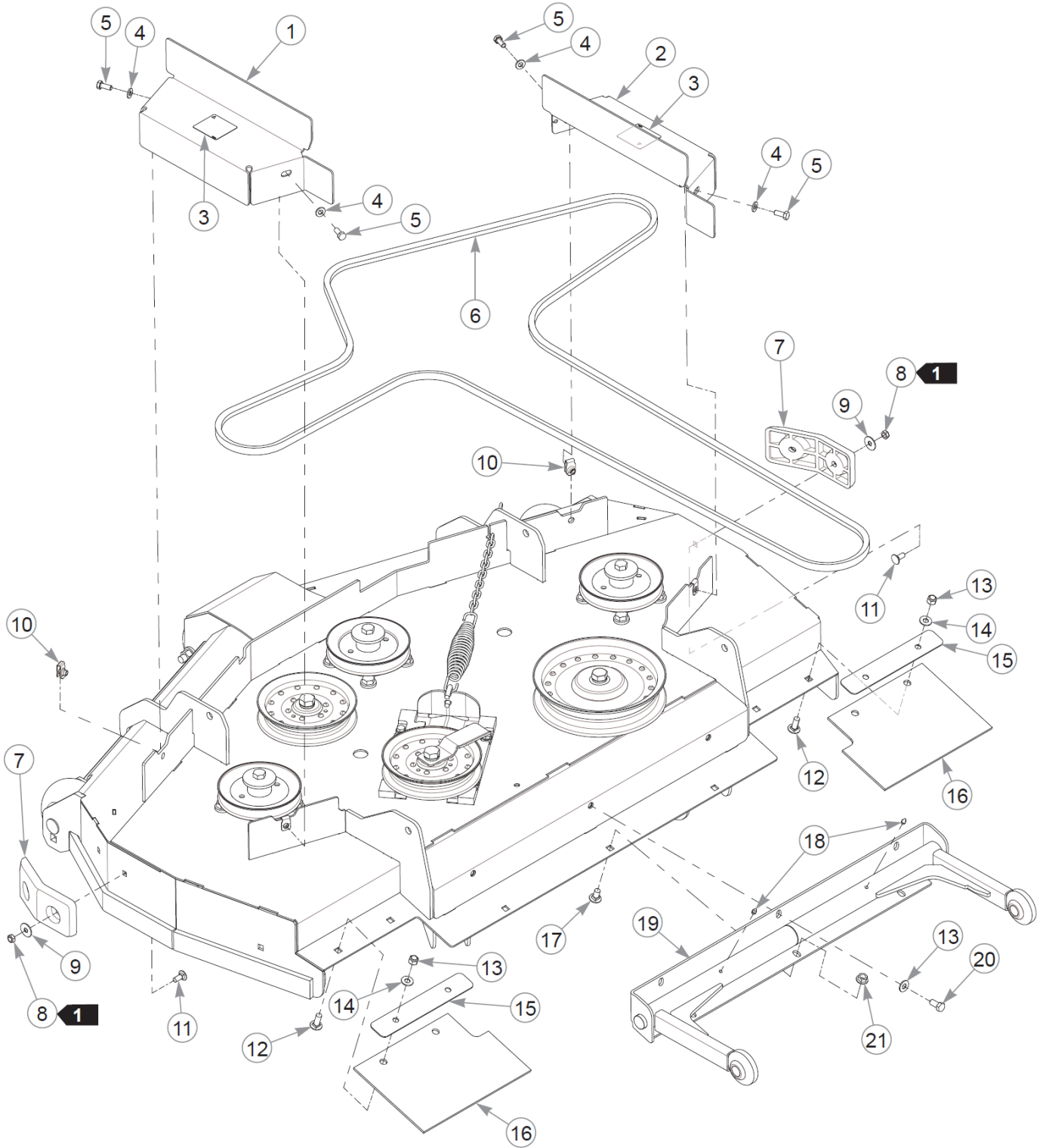


Deck Pulleys & Spindles

Item	Part No.	Qty	Name
1	025007	2	CS .62511X1.750HXG5
2	028118	5	FW 0.625X1.00X.13 ZY
3	606460	1	GUIDE, BELT
4	602935	2	DUST SHIELD, IDLER SM
5	602821	2	IDLER, 6.0" RIVETED
6	034280	4	CS .312-18X0.750HXG5
7	604252	4	FW .340X.68X.04 ZY
8	602936	2	IDLER SLIDE, UHMW
9	350884	1	SLIDE, DECK IDLER
10	781302	1	IDLER SPRING
11	373191	1	CHAIN, 21 LINK
12	705954	9	CS .500-13X1.25 HX G5 ZY
13	752386	3	CW .515X 2.25X .204 BLK
14	212472	3	KEY 1/4 SQ X 1.00 LG(FS)
15	798967	3	PULLEY, B-SEC 5.44 EOD
16	045765	3	FW 1.030X1.50X.13 HD ZY
17	017616	6	CS .500-13X1.750HXG5
18	767962	12	FW .531 x 1.063 x .175
19	025015	1	CS .625-11X2.500HXG5
20	602963	1	DUST SHIELD, IDLER LG
21	602838	1	IDLER, 8.0" RIVETED
22	604255	3	SPINDLE ASSY, DUCTILE
<p>Comments for Part Num. 604255</p> <p>Spindle has no service parts available. Replace complete spindle assembly.</p>			

Comments for Page: Deck Pulleys & Spindles

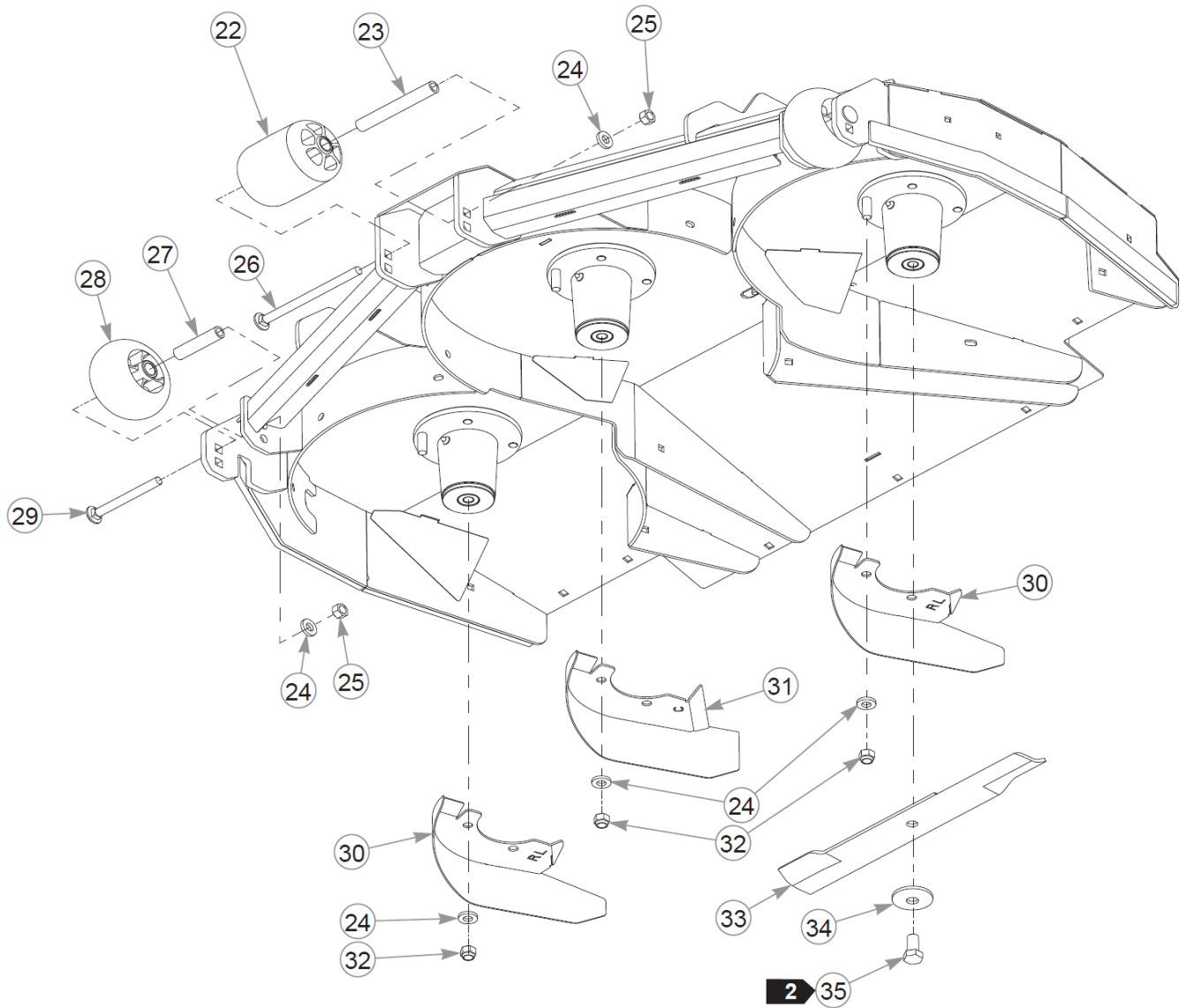
1. Torque to 86–99 N•m.



Deck, Pulley Covers, Belt, & Blades (Multi-Page)

54" RD X-ONE Parts Manual - 936401CE - HTX1TR054KAWFX850VC

Item	Part No.	Qty	Name
1	553875	1	SVC PULLEY COVER LS, CE
2	553908	1	SVC PULLEY COVER RH, CE
3	602562	2	DECAL, NO SERVICE
4	768523	4	FW 0.343SAE
5	034280	4	CS .312-18X0.750HXG5
6	605510	1	BELT, B 158.5 EL
7	605376	2	DECK BUMPER
8	604251	4	NT .312-18 HXNL JAM G2ZN
9	079210	4	FW 0.344X1.0X0.06 ZY
10	601069	4	CN .312-18x.200 MAX THK
11	016253	4	CB .312-18X .750 FUL ZN
12	025395	4	CB .375-16X 1.00 G5 ZNY
13	086660	4	NT .375-16NLG8
14	767954	7	FW 0.379X.82X.06 HD ZY
15	123534	2	CLAMP, RD
16	606598	2	RUBBER, RD 54"
17	011320	3	CB .375-16X .750 STD ZN
18	015495	2	GREASE FITTING STRAIGHT
19	123396	1	PUSHER, W/A
20	055822	3	CS .375-16X0.75 HX G5 ZY
21	016899	3	NT .375-16 FLKG5
22	602341	1	WHEEL, ANTI-SCALP
23	602344	1	SPACER, ANTI- SCALP 5.73
24	767962	9	FW .531 x 1.063 x .175
25	781567	3	NT .500-13NLG5
26	602338	1	CB .50-13 X 7.50 STD ZN
27	602345	2	SPACER, ANTI-SCALP 3.22
28	602263	2	WHEEL, ANTI-SCALP
29	607288	2	CB .50-13X4.75 STD ZN
30	123512	2	CUT-OFF W/A
31	123513	1	CUT-OFF W/A
32	781567	6	NT .500-13NLG5
33	601124	3	BLADE, 18.50"-L-F-CW
Not Shown	606251	3	BLADE, 18.50"-H-F-CW
Not Shown	797704	3	BLADE, 18.50"-MUL-F-CW
Not Shown	797712	3	BLADE, 18.50"-GAT-F-CW



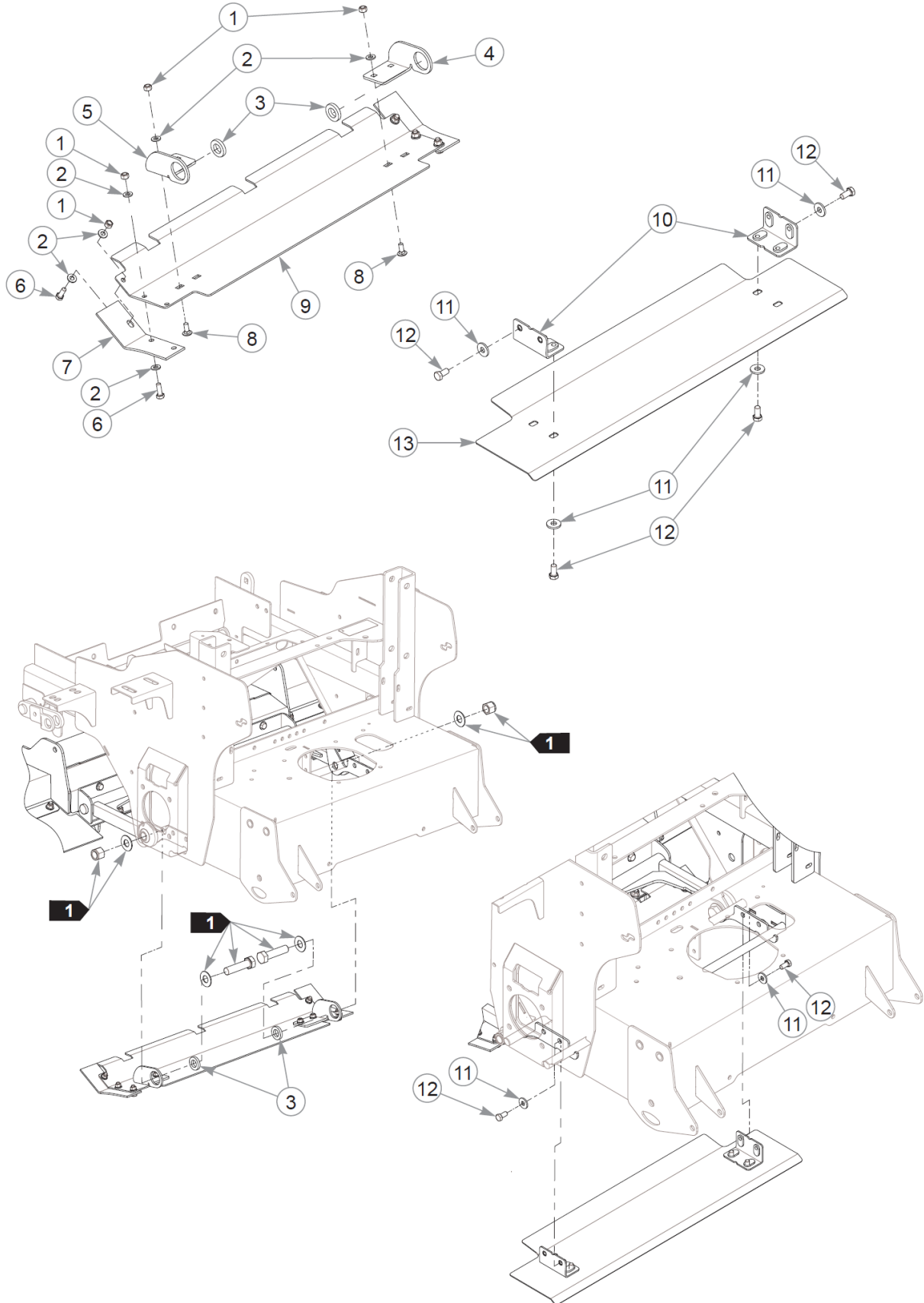
Deck, Pulley Covers, Belt, & Blades (Multi-Page)

Item	Part No.	Qty	Name
34	782474	3	CW .678 X 2.250 X .187
35	781872	3	CS .625-11X1.250HXG5

Comments for Page: Deck, Pulley Covers, Belt, & Blades (Multi-Page)

1. Torque to 4–8 N•m.
2. Torque to 160 N•m.
- 3 The pulley covers include the decal.

Dust Shield

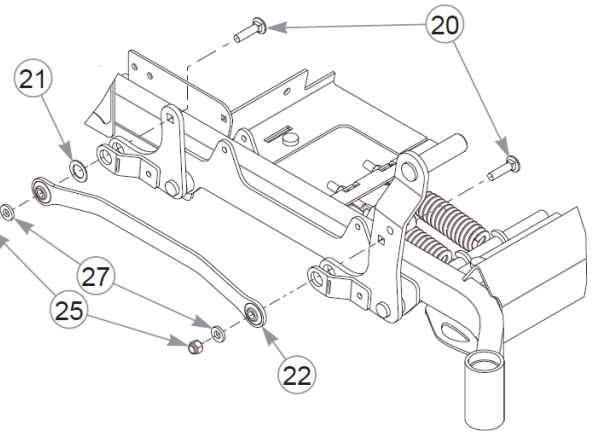
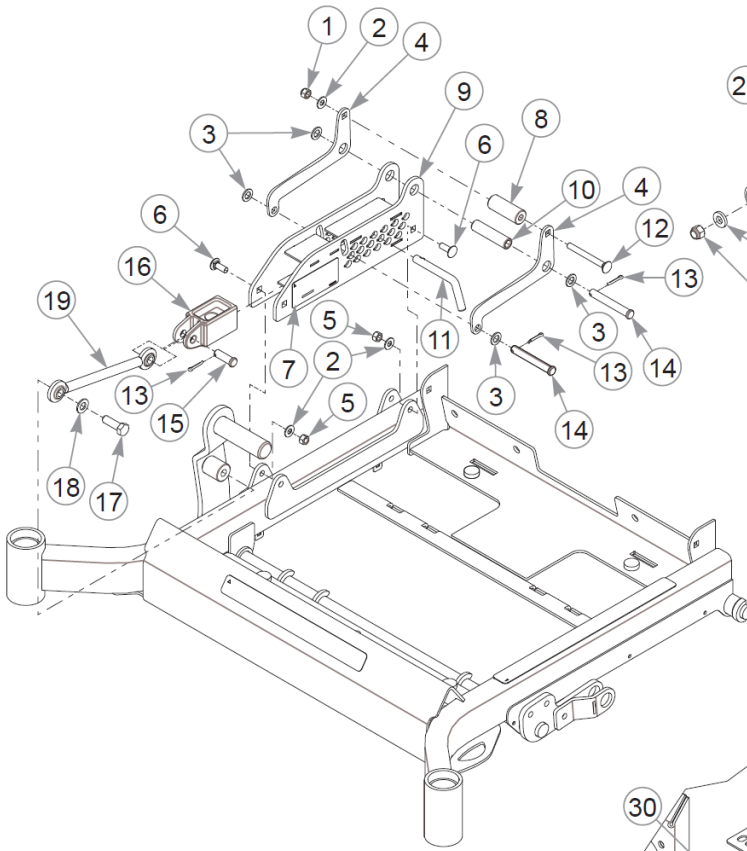


Dust Shield

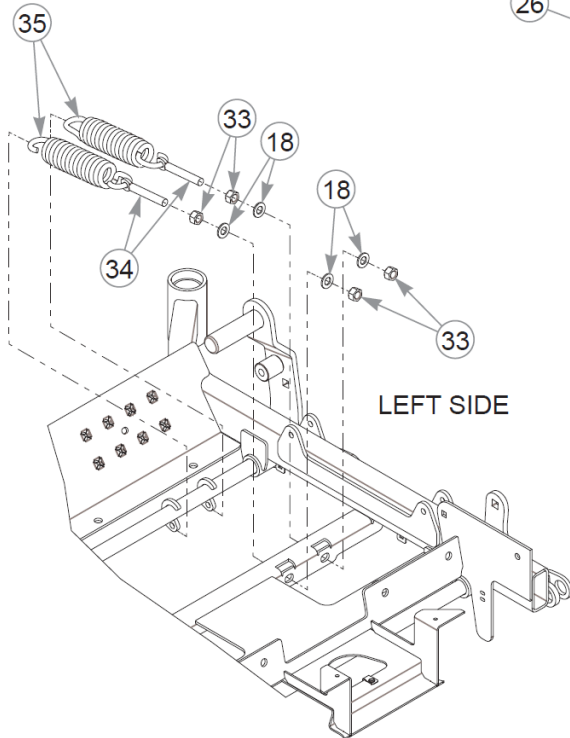
Item	Part No.	Qty	Name
1	058776	10	NT .312-18NLG5
2	768523	16	FW 0.343SAE
3	778399	2	FW .781X1.38X.25 ZY
4	123525	1	CHUTE BRACKET
5	123526	1	CHUTE BRACKET
6	064014	6	CS .312-18X0.875HXG5
7	606614	2	RUBBER, SIDE
8	016253	4	CB .312-18X .750 FUL ZN
9	123528	1	REAR SHIELD
10	123530	2	REAR SHIELD SUPPORT
11	712919	8	FW 0.406X1.00X.12 HD ZY
12	055822	8	CS .375-16X0.75 HX G5 ZY
13	123529	1	REAR SHIELD 2

Comments for Page: Dust Shield

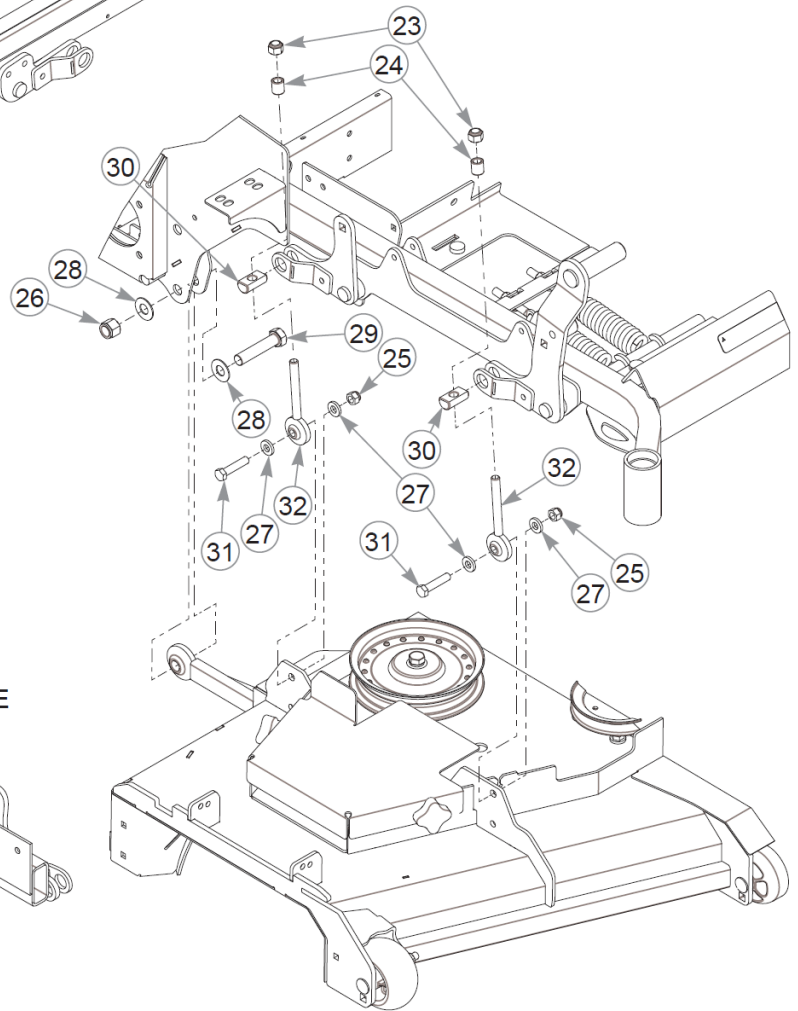
1. Part of the Deck Lift Assembly.



RIGHT SIDE

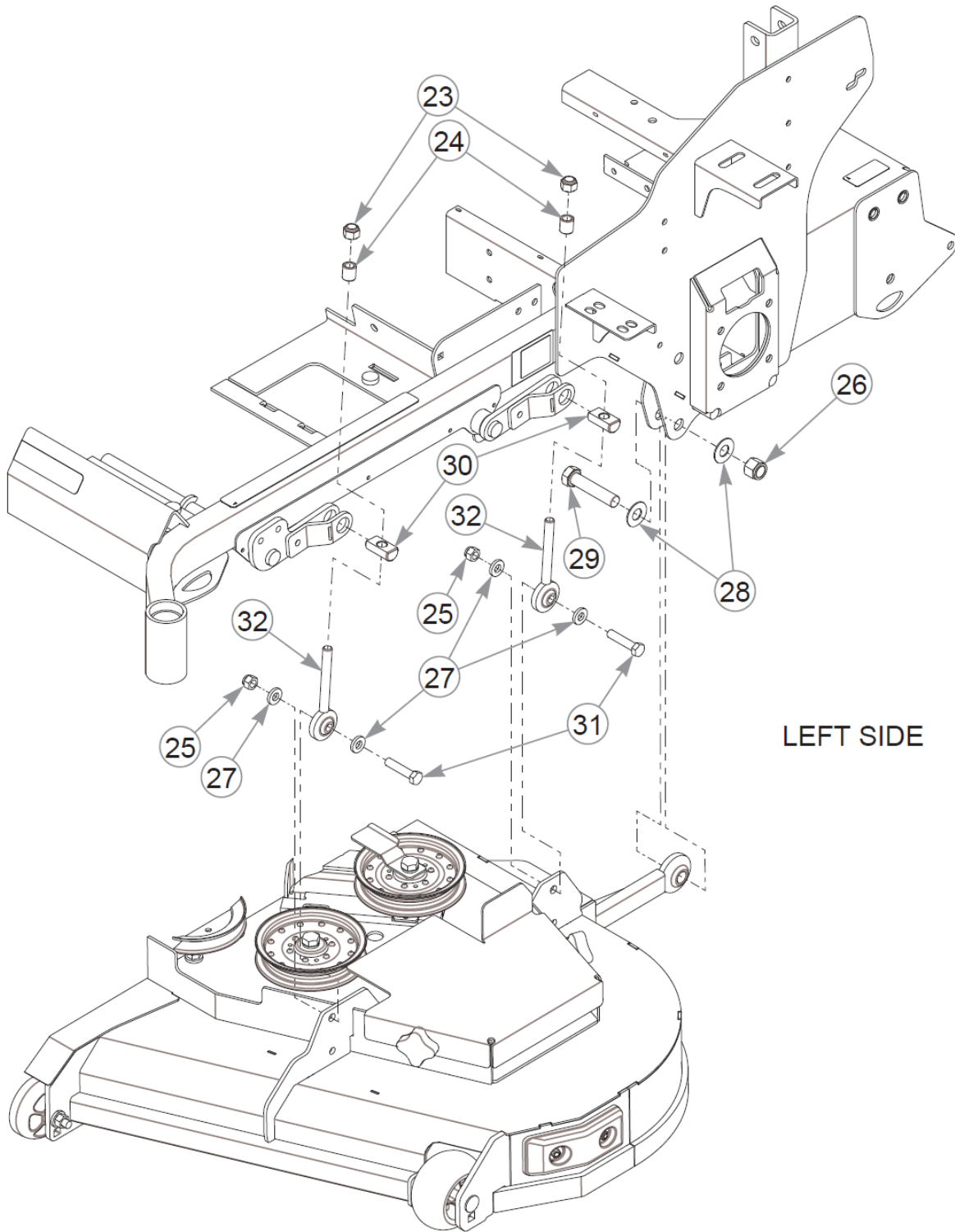


LEFT SIDE



Deck Lift (Multi-Page)

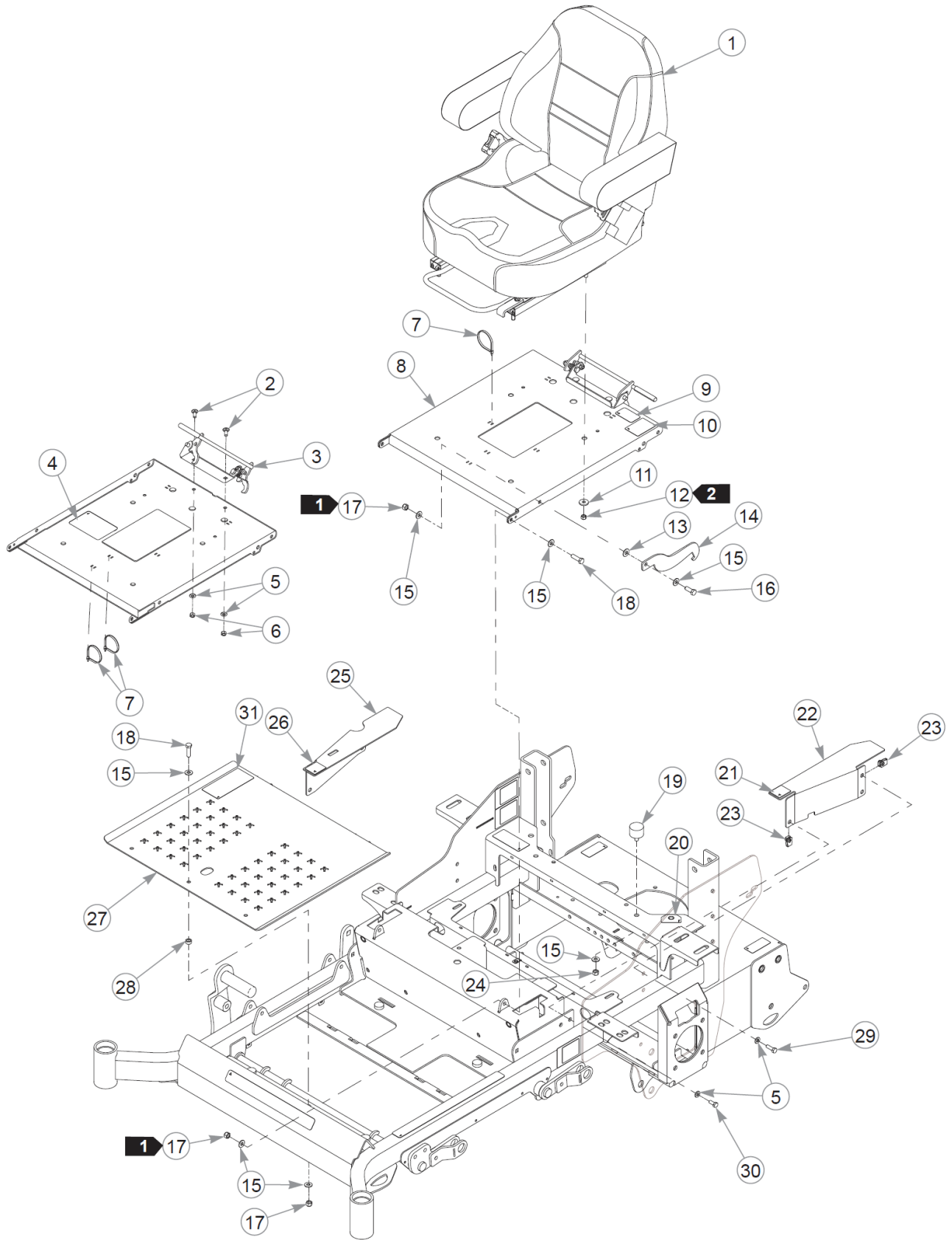
Item	Part No.	Qty	Name
1	086660	1	NT .375-16NLG8
2	767954	5	FW 0.379X.82X.06 HD ZY
3	718288	4	FW .516X.88X.09 ZY
4	122993	2	ARM, LATCH
5	054502	4	NT .375-16HXG5
6	025395	4	CB .375-16X 1.00 G5 ZNY
7	606679	1	DECAL, CE DECK HEIGHT
8	117489	1	SPACER, LATCH
9	553841	1	SVC, CUT HEIGHT W/A - X1
10	604075	1	SPACER, CYLINDER
11	604076	1	PIN, DECK HEIGHT STOP
12	041848	1	CB .375-16X 3.500 FUL Z
13	017251	3	CP .156DX1.000 LG HML Z
14	025965	2	CE .500X3.50 .156X3.34
15	068056	1	CE .500X1.50 .150X1.32
16	604069	1	SLIDER, DECK LIFT
17	074252	1	CS .500-13X1.50 HX G5 ZY
18	004168	5	FW .531x1.00x.090 ZY
19	122994	1	DECK HEIGHT LINK, W/A
20	604253	2	CB .50-13 X 2.00 STD ZN
21	122996	1	LINK SPACER
22	122987	1	DECK LIFT LINK, W/A
23	606316	4	NT 0.563-18 NLGC
24	606292	4	DECK LEVEL SPACER
25	781567	6	NT .500-13NLG5
26	061101	2	NT .750-10 HX ZY NL GR B
27	767962	10	FW .531 x 1.063 x .175
28	025296	4	FW .760X1.63X0.08 ZY
29	789115	2	CS .750-10X3.500HXG5
30	606291	4	DECK LEVEL PIVOT
31	761544	4	CS .500-13X2.250HXG8
32	606290	4	W/A DECK LEVEL ROD END
33	008193	4	NT .500-13HXG5
34	606478	2	EB, .500-13X3.00 FULTHD
35	606454	2	SPRING, EXT 7.0 300LB/IN



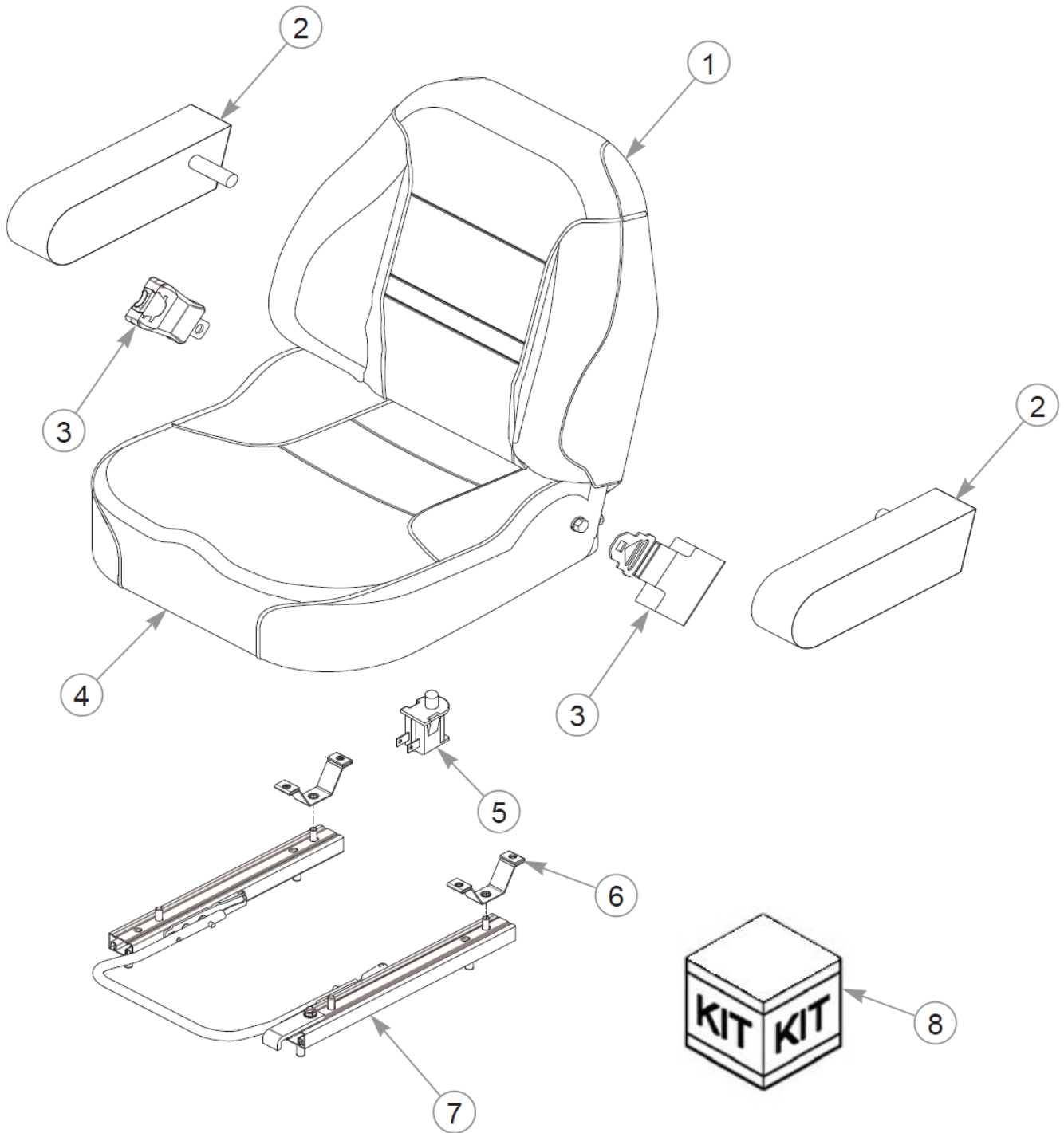
Deck Lift (Multi-Page)

Comments for Page: Deck Lift (Multi-Page)

1. The cut height indicator includes the decal.

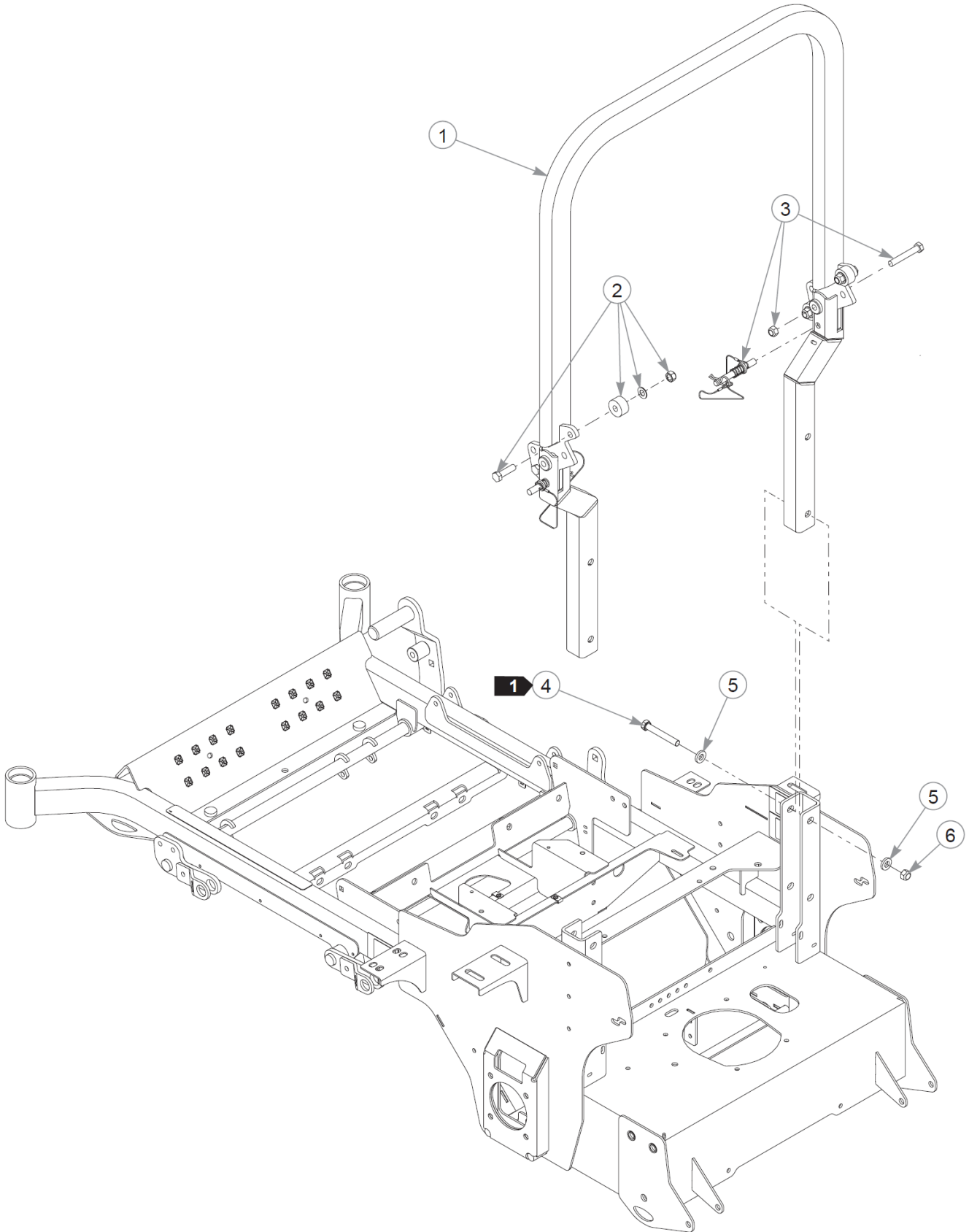


Item	Part No.	Qty	Name
1	606474	1	SEAT
2	016253	2	CB .312-18X .750 FUL ZN
3	605907	1	LATCH ASSEMBLY
4	601815	1	DECAL, BATTERY WARNINGS
5	768523	7	FW 0.343SAE
6	034272	2	NT .312-18HXG5
7	000331	3	WIRE TIE, SMALL/SHORT
8	555027	1	SEAT PAN, SERVICE
9	605688	1	DECAL, LEVEL FUEL FILL
10	785188	1	DECAL, Z ARMREST WARNIN
11	712927	4	FW 0.344X1.00X.12 HD ZY
12	058776	4	NT .312-18NLG5
13	724716	2	WASHER, FIBER (FS)
14	350421	1	SEAT PAN STOP (PLATED)
15	767954	10	FW 0.379X.82X.06 HD ZY
16	036244	1	CS .375-16X1.00 HX G5 ZY
17	086660	4	NT .375-16NLG8
18	052860	3	CS .375-16X1.25 HX G5 ZY
19	601650	2	VIBRATION MOUNT 70DURO
20	791848	1	DECAL FUEL INDICATOR- M
21	785139	1	DECAL, STEERING L.S.
22	550823	1	FRAME COVER LS, SERVICE
23	601069	5	CN .312-18x.200 MAX THK
24	054502	2	NT .375-16HXG5
25	550824	1	FRAME COVER RS, SERVICE
26	785220	1	DECAL, STEERING R.S.
27	606482	1	FLOOR PAN
28	118900	1	SPACER, DECK LIFT LINK
29	036236	3	CS .312-18X1.000HXG5
30	034280	2	CS .312-18X0.750HXG5
31	607023	1	DECAL, DECK HEIGHT CE



Seat Service Parts

Item	Part No.	Qty	Name
1	606572	1	SVC, SEAT BACK COVER
2	605615	1	ARM REST (PAIR)
3	604945	1	SEAT BELT (SET)
4	606571	1	SVC, SEAT BOTTOM COVER
5	793315	1	SWITCH, SEAT
6	606568	2	SVC, ISO MOUNT STRAP/SER
7	606570	1	SVC, SLIDE/ SERVICE ONLY
8	125091	1	SVC, ISO MOUNT KIT



Item	Part No.	Qty	Name
1	605741	1	ROPS COMPLETE ASSY
2	605731	2	KIT, POLY STOP (SET)
3	605638	1	ROPS HARDWARE KIT
4	061812	4	CS .500-13X3.50 HX G5 ZY
5	767962	8	FW .531 x 1.063 x .175
6	023317	4	NT .500-13UNTG8

Comments for Page: ROPS

1. Torque to 99 N•m.